

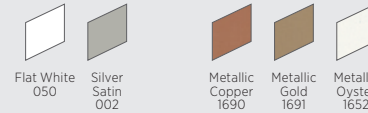
# USG CURVATURA™ 3-DIMENSIONAL CEILING SYSTEM



USG Curvatura™ 3-Dimensional System  
Berrien Springs Arts and Athletic Center  
Architect: CARM Design Group  
Photo: ©John Tirotta

TO ORDER SAMPLES, GO TO [USG.COM](http://USG.COM) OR [CGCINC.COM](http://CGCINC.COM)

#### PAINTED METALS



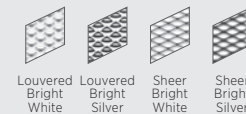
#### TIMBRE™



#### WOOD TONES™ - TEXTURED



#### DIAMONDFLEX™ L3



#### CUSTOM COLORS AVAILABLE



\*Grid and trim available in painted coordinating colors.

#### FEATURES AND BENEFITS

- Create dramatic three-dimensional curved designs that combine shape, texture and lighting.
- Curved main tee segments and flexible panels provide endless combinations.
- Available in two configurations: One-Directional USG Curvatura™ with 2'x6' infill panels and Two-Directional USG Curvatura™ with 2'x2' panels.
- Secure 15/16" grid profile for stability.
- Coordinating colors for trim and suspension Wood Tone panels.
- Custom colors available.

#### APPLICATIONS

- Interior Applications
- Pods, Islands, and Clouds
- Curved Ceilings
- New Construction or Renovation

One-Directional USG Curvatura™

# USG CURVATURA™ 3-DIMENSIONAL CEILING SYSTEM

ORDER SAMPLES/LITERATURE  
 USG: usg.com or samplitt@usg.com  
 CGC: contact Sales Representative

TECHNICAL SERVICES  
 800.USG.4YOU (874-4968)

FOR MOST UP-TO-DATE  
 TECHNICAL INFORMATION  
 AND LEED REPORT TOOL  
 usgdesignstudio.com  
 cgcdesignstudio.com

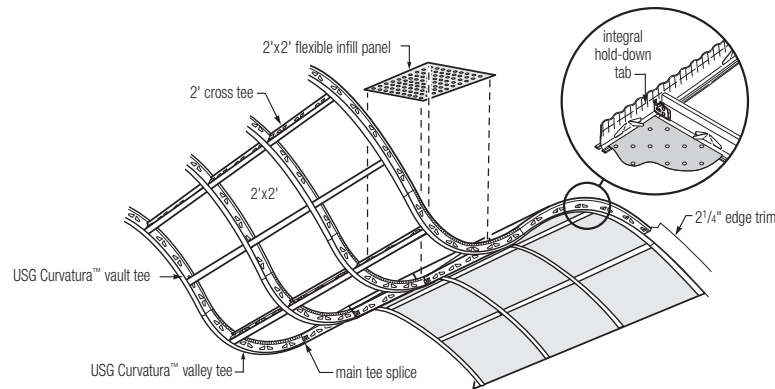
## PRODUCT INFORMATION

### PERSPECTIVE

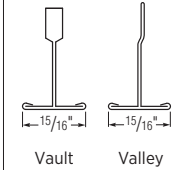
Two-Directional System

Materials	Finishes
Panel: Available smooth or perforated Painted Metals and DiamondFlex™. 2'x2' USG Translucents™ panels are also available.	Available with perforation and/or embossing

2'x2' Panels	Available Grid Profile
--------------	------------------------

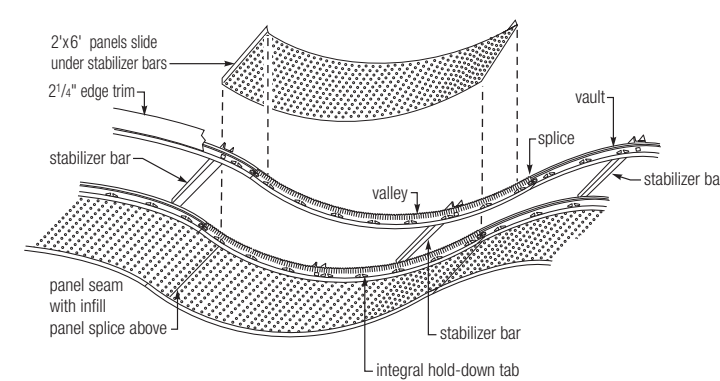


Standard
----------



One-Directional System<sup>2</sup>

2'x6' Panels
--------------



## CURVED COMPONENTS

(Available as vaults and valleys)

10' Arc Length	8' Arc Length	6' Arc Length	4' Arc Length
R = 229"	R = 183"	R = 138"	R = 92"
R = 153"	R = 122"	R = 92"	R = 61"
R = 115"	R = 92"	R = 69"	R = 46"
R = 77"	R = 61"	R = 46"	R = 31"

**Low Emissions (VOC)**  
 CDPH 01350 v1.2-2017 compliance on select finishes, see usg.com for more details and documentation.

## PHYSICAL DATA

<p><b>Product literature</b>                  System brochure: IC399                  Data sheet: IC310                  Design selector: IC36109                  Perforation selector: IC425                  Warranty: SC2102                  Stabilizer Bars: IC592                  Installation Guides: IC402, IC461, IC483                  Seismic Technical Guide: SC2494                  Cleaning Instructions: IC518</p> <p><b>Online tools</b>                  usgdesignstudio.com or cgcdesignstudio.com</p>	<p><b>ASTM E84 and CAN ULC S102 surface-burning characteristics (with Acoustibond™ backer)</b>                  Class A                  Flame spread: 25 or less                  Smoke developed: 50 or less</p> <p><b>Notes</b></p> <ol style="list-style-type: none"> <li>DiamondFlex™ and Wood Tone panels available for Two-Directional USG Curvatura™.</li> <li>One-Directional USG Curvatura™ Systems shall not be used in seismic design categories C, D, E and F.</li> <li>DiamondFlex™ panels approximate percentage open area: Louvered 22%, and Sheer 52%.</li> </ol>	<p><b>Limitation</b>                  Some commercially acceptable color variation may occur between lots and between different size products of the same color. For more information about metal ceiling finishes, refer to <i>Metal Ceilings Technical Guidelines</i> published by the Ceilings &amp; Interior Systems Construction Association.</p> <p><b>Recycled content</b>                  USG Curvatura™ aluminum panels: up to 65% recycled content.</p>
--	--	--

**Notice**  
 The information in this document is subject to change without notice. CGC Inc. or USG Corp. assumes no responsibility for any errors that may inadvertently appear in this document.

IC310/rev. 10-23  
 © 2023 USG Corporation and/or its affiliates. All rights reserved. Printed in U.S.A.

Manufactured by  
 USG Interiors, LLC  
 550 West Adams Street  
 Chicago, IL 60661

The trademarks USG, CGC, ACOUSTIBOND, CURVATURA, DIAMONDFLEX, TIMBRE, TRANSLUCENTS, IT'S YOUR WORLD, BUILD IT, the USG/CGC logo, the design elements and colors, and related marks are trademarks of USG Corporation or its affiliates.

Safety First! Follow good safety/industrial hygiene practices during installation. Wear appropriate personal protective equipment. Read SDS and literature before specification and installation.

