

CGC™ Drywall Suspension System – Curved Ceilings



CGC Drywall Suspension System/
SHEETROCK Gypsum Panels

LEED Credits

Recycled Content: 95%

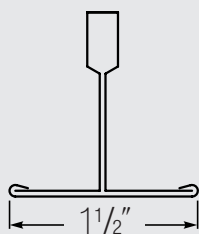
MR				EQ		
Waste Reduction	Recycled Content	Regional Materials ¹	Rapidly Renewable Materials	Low-Emitting Materials	Daylight and Views	Acoustical Performance
●	●	●				

Features and Benefits

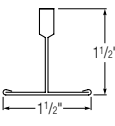
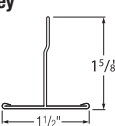
- Drywall suspension system simplifies the design and construction of curved drywall ceilings.
- Pre-engineered curves ensure correct installation.
- Custom components allow easy changes in ceiling elevations and transitions between ceiling types.
- Hot-dipped galvanized system suitable for interior and exterior applications.

Applications

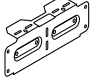

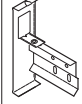
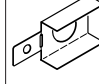
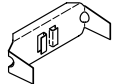

- General-use areas
- Domes, round and elliptical
- Groin vaults
- Curved soffits

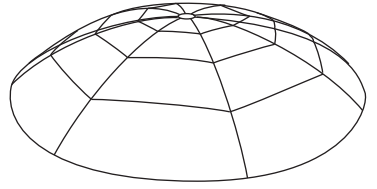
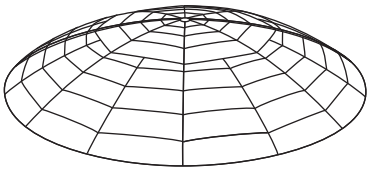
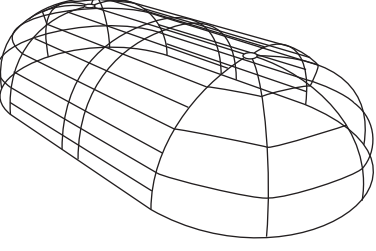


Profile

							Rated Load ²							
							Class	2' Hanger Spacing	4' Hanger Spacing					
							ASTM Class per C635	Radius	Arc Length	Height	Item No. ³	Class	2' Hanger Spacing	4' Hanger Spacing
System meets or exceeds load compliance specifications per ASTM C635														
System Components	Curved Main Tees	Vault		16 lbs. ⁴	31"-44"	6'	1-1/2"	DGW6VTxxx	Class A		16.0 lbs./LF			
				16 lbs. ⁴	45"-60"	8'	1-1/2"	DGW8VTxxx	Class A		16.0 lbs./LF			
				16 lbs. ⁴	61"-72"	10'	1-1/2"	DGW10VTxxx	Class A		16.0 lbs./LF			
				16 lbs. ⁴	73"-91"	10'	1-1/2"	DGW10VTxxx	Class A		16.0 lbs./LF			
				16 lbs. ⁴	92"-239"	10'	1-1/2"	DGW10VTxxx	Class A		16.0 lbs./LF			
				16 lbs. ⁴	240"+	12'	1-1/2"	DGW12VTxxx	Class A		16.0 lbs./LF			
	Valley		16 lbs. ^{4,5}	31"-44"	6'	1-5/8"	DGW6VYxxx	Class A	16.0 lbs./LF					
			16 lbs. ^{4,5}	45"-60"	8'	1-5/8"	DGW8VYxxx	Class A	16.0 lbs./LF					
			16 lbs. ^{4,5}	61"-72"	10'	1-5/8"	DGW10VYxxx	Class A	16.0 lbs./LF					
			16 lbs. ^{4,5}	73"-91"	10'	1-5/8"	DGW10VYxxx	Class A	16.0 lbs./LF					
			16 lbs. ^{4,5}	92"-239"	10'	1-5/8"	DGW10VYxxx	Class A	16.0 lbs./LF					
			16 lbs. ^{4,5}	92"-239"	10'	1-5/8"	DGW10VYxxx	Class A	16.0 lbs./LF					
			16 lbs. ^{4,5}	92"-239"	10'	1-5/8"	DGW10VYxxx	Class A	16.0 lbs./LF					
			16 lbs. ^{4,5}	92"-239"	10'	1-5/8"	DGW10VYxxx	Class A	16.0 lbs./LF					

Cross Tees See Flat Ceilings for information on straight cross tees, cross channel, and moldings.

Accessories	DGSC180 Splice Clip	DGTC90 Transition Clip	DGC4, DGC6, DGC8 COMPASSO™ Drywall Clip	DGWC Wall Attachment Clip	DGSP180 Splice Plate	DGHUB Dome Hub
						

Typical Assemblies	8-Spoke Dome	16-Spoke Dome	Dome Vault
			

Design Support **USG DesignStudio.com:**

- Online design and specification tools
- Installation videos
- Domes and barrel vault estimator. Additional support available through CGC Ceilings Solution Group for design and estimation of non-typical applications.

Physical Data/ Footnotes

Product literature
 Data sheet# EGR-OG68

Finishes
 Galvanized.

Material
 Double-web tee, hot-dipped galvanized steel.

Recycled content
 25%. For details, see the Sustainability selector.

Installation
 Must be installed in compliance with ASTM C636, CISCA, and standard industry practices.

Limitations
 Severe Environmental Requirements. For exterior applications, suspension systems should be reviewed by an engineer.

Footnotes

1. Dependent on location; contact your CGC representative.
2. "xxx" is a placeholder for a custom radius, in inches.
3. As tested per independent testing agency, both vault and valley main tees can carry 16 pounds per lineal foot.
4. As tested per independent testing agency, valleys require hanger wire spacing of 2' o.c.