

MID FLEX²⁵⁰ MID FLEX³⁰⁰ WIDE FLEX⁴⁰⁰

DRYWALL INSIDE AND OUTSIDE CORNER FLEX TAPES

Creates Fast, Perfect,
Inside and Outside
Corners and Off Angles.



APPLICATIONS

MID FLEX²⁵⁰

- Inside and outside 90° corners.
- Inside 90° corners where a large fill or straightening is required.
- Inside and outside corners of bay windows, coffers and off angles.

MID FLEX³⁰⁰

- Off angles and outside 90° corners.
- Outside corners where a large fill or straightening is required.
- Outside corners of bay windows, coffers.
- Vaulted ceilings and butterfly vaults.
- Replacing damaged metal corner bead.

WIDE FLEX⁴⁰⁰

- Hard-to-straighten vaults.
- Butterfly vaults.
- Hard-to-straighten outside corners.
- Double 5/8" outside corners.
- Obtuse angles.
- Replacing damaged metal corner bead.

PRODUCT DESCRIPTION

- Memory-free hinge design allows for ease of installation, straight corners and perfect angles.
- Diamond-punched 94 lb. paper edging allows for easier feathering, faster drying, and the highest bonding strength. Also guarantees an even lay-down of the paper, providing maximum adhesion with no rippling or blistering.
- PUR-laminated nose ensures perfect corners without paper fuzz-up during finishing and sanding.
- Prefinished surface. Just skim coat edges to finish.
- Rustproof.
- Cuts easily with knife or scissors.
- Straightens common framing irregularities.
- No cracks. No callbacks.

PROFESSIONAL GRADE

MID FLEX²⁵⁰ MID FLEX³⁰⁰ WIDE FLEX⁴⁰⁰

ADVANTAGES OVER COMPETITORS

MID FLEX ²⁵⁰ WIDE FLEX ⁴⁰⁰	MID FLEX ³⁰⁰ COMPETITOR PAPER/ PLASTIC FLEX	COMPETITOR PAPER/ METAL FLEX
PUR-Laminated Nose	No Protective Nose	No Protective Nose
Diamond-Punched 94 lb.	Formulated Surface Paper	Standard 84 lb. Paper
Superior Bond	Adequate Bond	Good Bond
Measurements Printed in US and Metric	No Printing	No Printing
Printed Center Line for Easy Alignment	No Printing	No Printing
Will Not Rust	Will Not Rust	Can Rust

DIRECTIONS FOR USE

- 1 Measure length and cut MID FLEX or WIDE FLEX using a utility knife or scissors. Fold MID FLEX or WIDE FLEX in half at center crease to desired angle. Most professionals prefer to cut the ends of MID FLEX or WIDE FLEX at a 45° angle.
- 2 With a 5" or 6" taping knife, apply a smooth, liberal coat of compound to corner. Press MID FLEX or WIDE FLEX into the wet compound. Adjust if necessary to create a straight line.
- 3 Wipe down tight with taping knife using a little additional pressure on the outer edges of MID FLEX or WIDE FLEX. Immediately apply a light skim coat of compound to the outer edges. Wipe down smooth. No compound is required over the laminated area of MID FLEX or WIDE FLEX. Let dry completely over several hours or overnight.
- 4 With a 6" or 8" taping knife, apply your final coat of compound feathering the compound beyond previous coat. For inside corners, a very light coat of compound is all that's needed. Let dry completely over several hours or overnight.
- 5 Sand lightly with 150 grit sandpaper. MID FLEX or WIDE FLEX will not fuzz-up like paper or mesh tapes.

SPECIFICATIONS

MID FLEX 250

- 63 mm x 30.5 m roll size (2 1/2" x 100')
- Color Code SILVER
- Item#: MF250-681130
UPC: 069606003662
Case Pack: 10 rolls.
24 cases per pallet
Pallet weight: 432kg (953lb)

MID FLEX 300

- 76 mm x 30.5 m roll size (3" x 100')
- Color Code SILVER
- Item#: MF300-681130
UPC: 069606003679
Case Pack: 10 rolls.
24 cases per pallet
Pallet weight: 469kg (1034lb)

MID FLEX 300

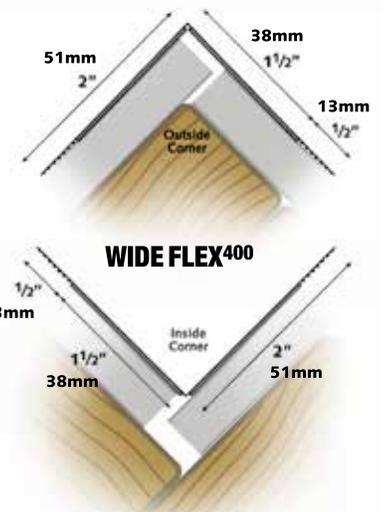
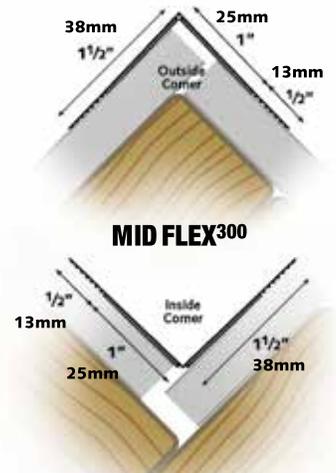
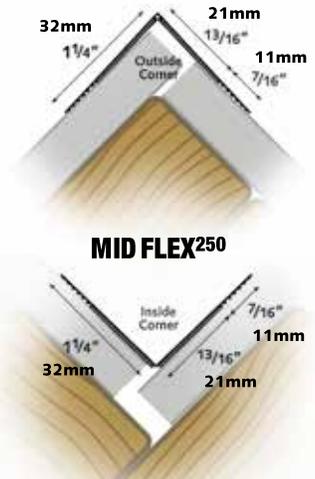
- 102 mm x 30.5 m roll size (4" x 100')
- Color Code SILVER
- Item#: WF400-681125
UPC: 069606003686
Case Pack: 7 rolls.
24 cases per pallet
Pallet weight: 487kg (1073lb)

STORAGE

Store in a dry place protected from moisture.

Manufactured by Strait-Flex for CGC Inc.
350 Burnhamthorpe Rd. W, 5th Floor,
Mississauga, ON L5B 3J1

For product information call 1-800-387-2690 or go to cgcinc.com



MK_IFP022_E/03-13