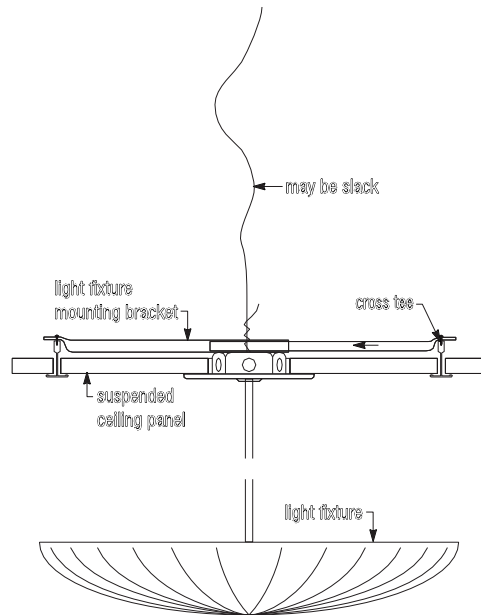


Pendant-Hung Fixtures—IBC Category C



© USG Corporation