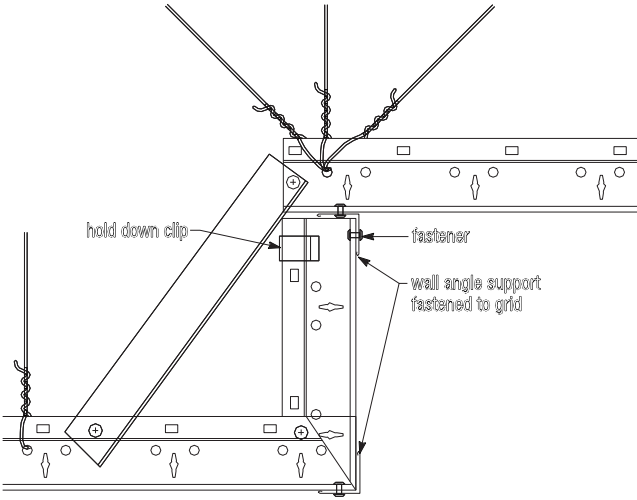


**Seismic Elevation Change Bracing—IBC Categories D, E, F**



© USG Corporation