



# USG LEVELROCK® BRAND SAM-N12™ SOUND ATTENUATION MAT

## Premium sound mat products

- STC and IIC values help meet or exceed code requirements for sound attenuation
- Can be used over a variety of subfloors
- Robinson tested for system durability
- May contribute towards LEED® credits
- Installed by USG Levelrock authorized applicators

## DESCRIPTION

USG Levelrock® Brand SAM-N12™ Sound Attenuation Mat provides an economical method of improving the IIC and STC ratings of a variety of subfloors such as plywood, OSB, pre-cast concrete, concrete and corrugated steel deck. Its 0.125 in. (3.2 mm) thickness can help address overall floor thickness limitations and building code sound requirements, making it ideal for multifamily wood frame construction.

Made from a durable polymer resin, USG Levelrock SAM-N12 sound attenuation mat requires a minimum ¾ in. (19 mm) of USG Levelrock® floor underlayment topping. For those interested in green building, USG Levelrock SAM-N12 Attenuation Mat contains approximately 6% pre-consumer recycled content.

## LIMITATIONS

1. Do not use in exterior applications.
2. Do not use as a wear surface.
3. Do not use mechanical fasteners to install the sound attenuation mat as mechanical fasteners conduct impact sound, compromising acoustical isolation.
4. Do not install where continuous exposure to moisture is a possibility.
5. Structure shall be designed so that deflection does not exceed L/240 from combined dead and live loads and L/360 from live loads. Certain floor coverings such as marble, limestone, travertine and wood may have more restrictive deflection limits. Consult the appropriate floor-covering manufacturer.
6. For wood subfloors, do not install on plywood/OSB subfloors lacking tongue and groove edges without back-blocking.

## INSTALLATION

USG Levelrock SAM-N12 sound attenuation mat can be used over a variety of subfloors including plywood, OSB, pre-cast concrete, concrete and corrugated steel deck. For plywood or OSB subfloors, the edges must be tongue and groove or the use of back blocking is required. The subfloor must be clean and free of construction debris and dirt. The building temperature should be maintained at a 50 °F (10 °C) minimum.

Priming USG Levelrock SAM-N12 Sound Attenuation Mat is not required prior to installing USG Levelrock Floor Underlayments provided the sound mat is clean and free from construction debris, dirt and dust.

USG Levelrock® Perimeter Isolation Strip must be installed between the sound attenuation mat and walls or floor protrusions. The perimeter isolation strip must be installed so that there is no leakage of USG Levelrock floor underlayment as any breach will compromise the sound system performance. Follow the detailed drawings in *Assemblies* (pg. 2) for specific instructions for USG Levelrock SAM-N12 sound attenuation mat. For further perimeter isolation strip instructions, see *USG Levelrock® Brand Perimeter Isolation Strips Submittal* (IG1874) at [usg.com](http://usg.com).

**INSTALLATION CONT.**

Protect USG Levelrock underlayment floors poured over sound attenuation mat from heavy trade traffic loads (i.e. loaded drywall carts, heavy tool cabinets, etc.) with plywood.

For further details on installation requirements, specifications and the most up-to-date product information, please see usg.com.

**PRODUCT DATA**

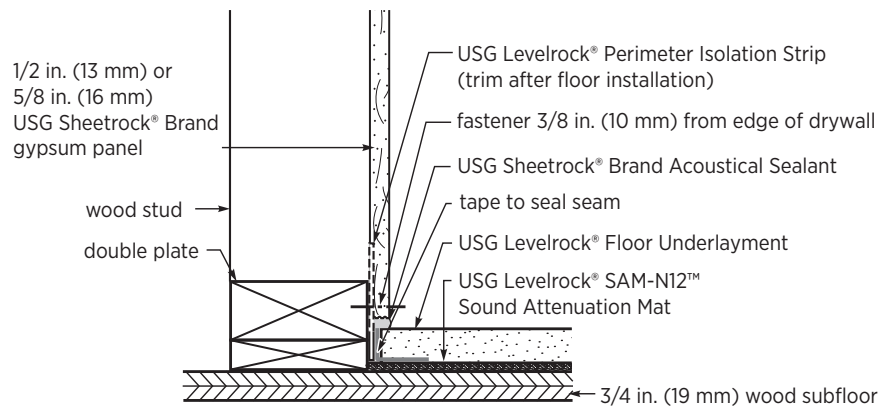
	<b>USG Levelrock® SAM-N12 Sound Attenuation Mat</b>
<b>Width</b>	39.5 in. (1 m)
<b>Roll length</b>	150 lf. (45.7 m)
<b>Coverage per roll</b>	494 sq. ft. (45.9 m <sup>2</sup> )
<b>Mat thickness</b>	0.125 in. (3.2 mm)
<b>Roll diameter</b>	18 in. (457 mm)
<b>Weight per roll</b>	48 lbs. (21.8 kg)

**TEST DATA**

For fire ratings and IIC and STC sound test data, refer to the *USG Levelrock® and USG Durock™ Fire & Sound Rating Guide* (IG1685) at usg.com.

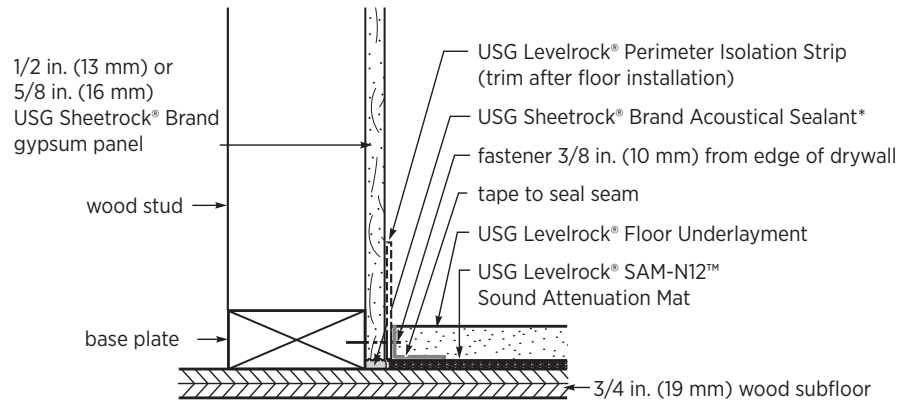
**ASSEMBLIES**

WOOD SUBFLOOR, WOOD FRAME—  
USG LEVELROCK INSTALLED BEFORE DRYWALL



**USG Levelrock® SAM-N12™ Sound Attenuation Mat**

WOOD SUBFLOOR, WOOD FRAME—  
USG LEVELROCK INSTALLED AFTER DRYWALL



**USG Levelrock® SAM-N12™ Sound Attenuation Mat**

\* optional

**NOTE** Drawings not to scale.

**EXTENDED WARRANTY**

An extended warranty may apply when using USG Levelrock SAM-N12 Sound Attenuation Mat in a system application. Please contact USG for further details.

**SUBMITTAL APPROVALS**

<b>Job Name</b>	
<b>Contractor</b>	<b>Date</b>

**PRODUCT INFORMATION**

See usg.com for the most up-to-date product information.

**GREENGUARD INFORMATION**

GREENGUARD Certified products are certified to GREENGUARD standards for low chemical emissions into indoor air during product usage. For more information, visit ul.com/gg.

**LEED INFORMATION**

For the most up-to-date information on LEED rating systems, project certification and the U.S. Green Building Council, please visit usgbc.org.

**CAUTION**

Dust may cause irritation to eyes, skin, nose, throat and upper respiratory tract. Wear eye protection. If eye contact occurs, flush thoroughly with water for 15 minutes. Remove contact lenses and continue rinsing. If on skin: Wash with plenty of water. If irritation persists, call physician. For more information call Product Safety: 800-507-8899 or see the SDS at usg.com.

**KEEP OUT OF REACH OF CHILDREN.**

**TRADEMARKS**

The trademarks USG, LEVELROCK, SAM-N12, SHEETROCK, IT'S YOUR WORLD. BUILD IT., the USG logo, the design elements and colors and related marks are trademarks of USG Corporation or its affiliates. LEED is a registered trademark of U.S. Green Building Council.

**NOTE**

The information in this document is subject to change without notice. USG Corp. and/or its affiliates assume no responsibility for any errors that may inadvertently appear in this document. Consult your USG sales office or representative for information.

**NOTICE**

We shall not be liable for consequential, incidental or special damages, directly or indirectly sustained, nor for any loss caused by application of these goods not in accordance with current printed instructions or for other than the intended use. Our liability is expressly limited to the replacement of defective goods or a refund of the purchase price, at USG's option, and does not include costs of labor, floor-covering materials, or any other costs associated with material replacement. Any claim shall be deemed waived unless made in writing to us within thirty (30) days from date it was or reasonably should have been discovered. For all applicable terms and conditions, please refer to *USG Levelrock® Brand & USG Durock™ Brand Performance Flooring Products Two-Year Limited Warranty for USG Levelrock Applicators (IG1727)* located at usg.com.

**SAFETY FIRST!**

Follow good safety/industrial hygiene practices during installation. Wear appropriate personal protective equipment. Read applicable SDSs and literature before specification and installation.



800.USG.4YOU  
800 (874.4968)  
usg.com

Manufactured for  
United States Gypsum Company  
550 West Adams Street  
Chicago, IL 60661

IG5456-USA-ENG/rev. 10-21  
© 2021 USG Corporation and/or  
its affiliates. All rights reserved.  
Printed in U.S.A.

