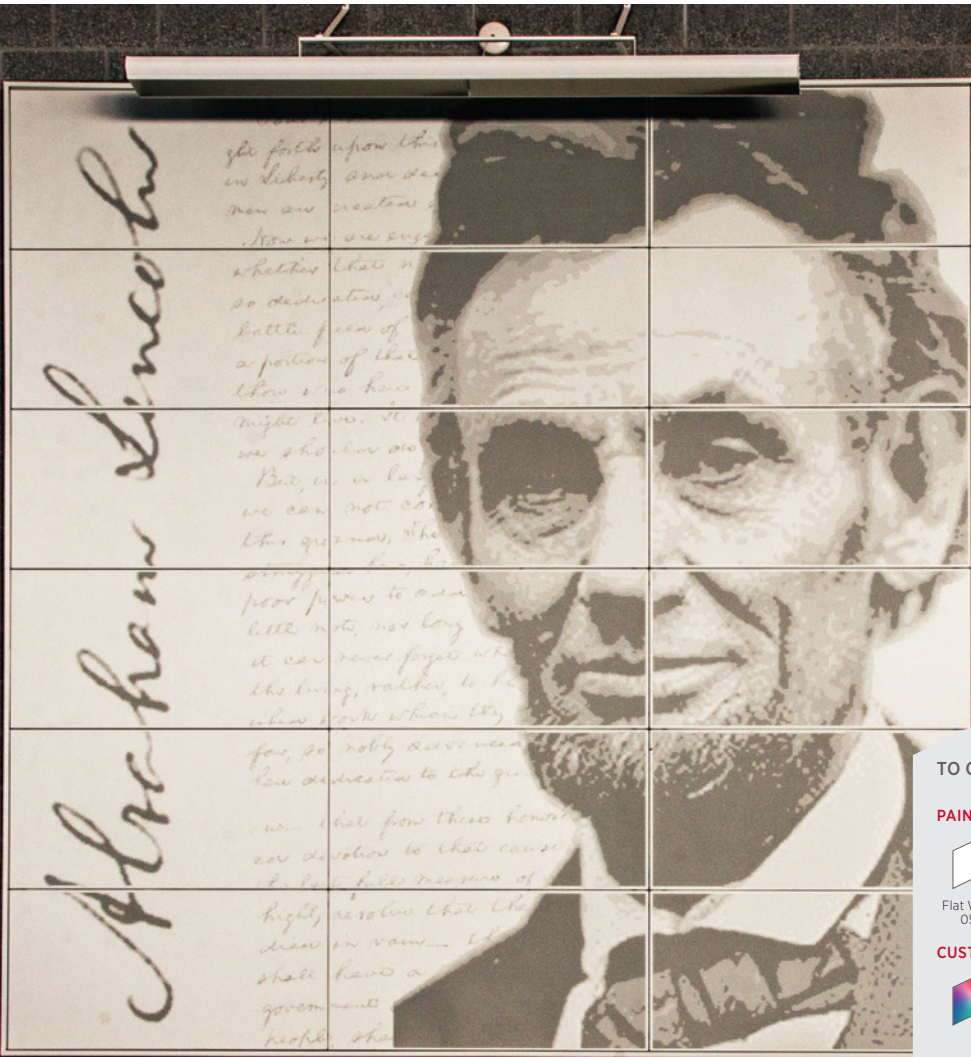


USG PIXELS® WALL MOUNTED PANELS

PERFORATED IMAGERY



USG Celebration™ Snap-in Metal Panel with Pixels® Perforated Imagery in Flat White. Gettysburg Area Middle School in Gettysburg, PA. Architect: CRA-Architects, Photo: ©Steve Wagner

TO ORDER SAMPLES, GO TO USG.COM OR CGCINC.COM

PAINTED METALS



Flat White 050 Silver Satin 002

CUSTOM COLORS AVAILABLE



FEATURES AND BENEFITS

- Transform photographs, art and logos into perforated panels.
- Produce dramatic imagery on walls.
- No limit to image or mural size.
- Suitable for USG Celebration™ Snap-In Metal Panels.
- Images can be positive or negative for backlighting.
- Choose from three resolutions based on aesthetic or budget considerations.

APPLICATIONS

- Interior Applications
- Wall Mount
- New Construction
- Backlit Panels

USG Pixels® Wall Mounted Panels nonbacklit



USG PIXELS® WALL MOUNTED PANELS

PERFORATED IMAGERY

ORDER SAMPLES/LITERATURE
 USG: usg.com or samplitt@usg.com
 CGC: contact Sales Representative

TECHNICAL SERVICES
 800.USG.4YOU (874-4968)

FOR MOST UP-TO-DATE TECHNICAL INFORMATION AND LEED REPORT TOOL
 usgdesignstudio.com
 cgcdesignstudio.com

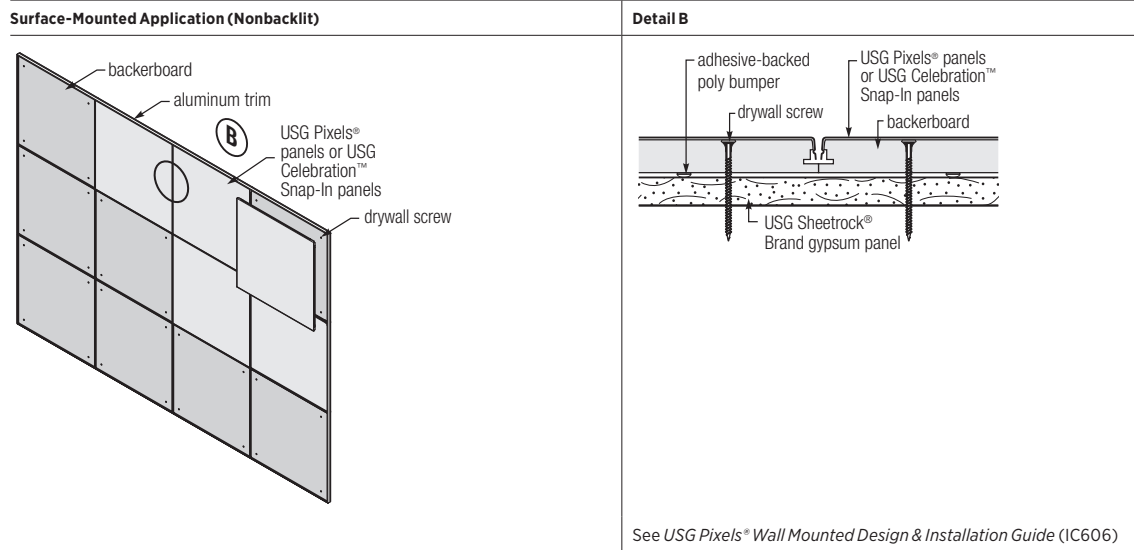
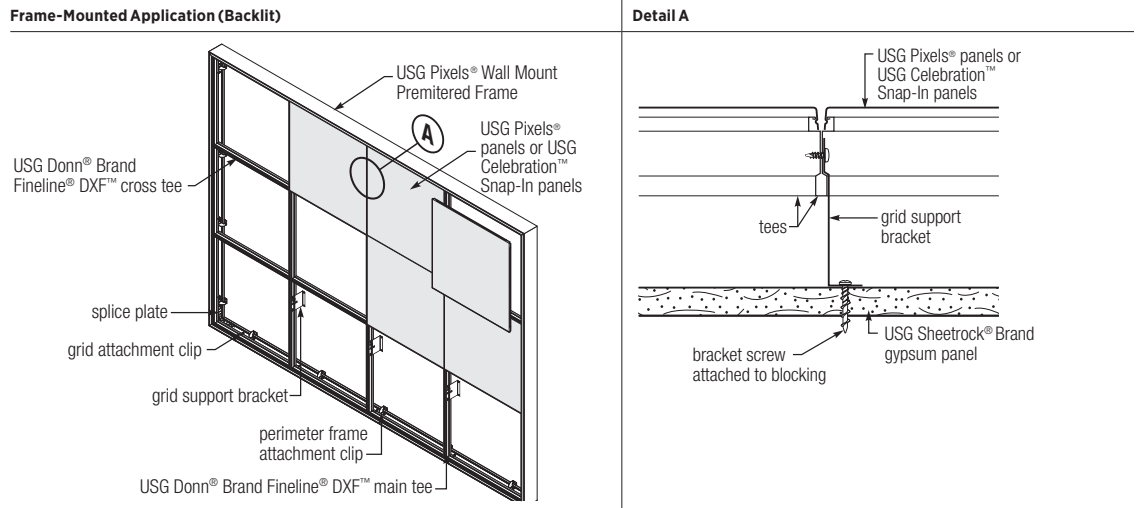


PRODUCT INFORMATION

Frame-Mounted Application (Backlit)

Surface-Mounted Application (Nonbacklit)

Materials	System	Available Sizes
Aluminum Metal Panels	USG Celebration™ Snap-In Metal Panels USG Pixels® Metal Panels	2'x2'; 2'x4'; 2'x6'
Aluminum Frame	USG Compáso™ Elite	4", 6"
Steel Grid	USG Donn® Brand Finline® DXF™	Main Tees, Cross Tees
MDF	Wall Mount Backerboard	2'x2'; 2'x4'; 2'x6'
Extruded Aluminum	Aluminum Trim	Per design



HRC High Recycled Content

USG classifies High Recycled Content as greater than 50%. Total recycled content is based on product composition of postconsumer and preconsumer (postindustrial) recycled content per FTC guidelines.

PHYSICAL DATA

Product literature

Data sheet: IC605
 Wall Mounted Design and Installation Guide: IC606
 USG Pixels® Perforated Imagery for Ceilings: IC563
 USG Pixels® Design Guide: IC566
 USG Pixels® Check Sheet: IC565
 Warranty: SC2102
 Specification: IC677
 Cleaning Instructions: IC518

Online tools

usgdesignstudio.com or cgcdesignstudio.com

ASTM E84 and CAN/ULC S102 surface-burning characteristics (with Acoustibond™ backer)

Class A
 Flame spread: 25 or less
 Smoke developed: 50 or less

ASTM E84 and CAN/ULC S102 surface-burning characteristics (with light diffusing backer)

Class A
 Flame spread: 25 or less
 Smoke developed: 50 or less

Limitation

Some commercially acceptable color variation may occur between lots and between different size products of the same color. For more information about metal ceiling finishes, refer to *Metal Ceilings Technical Guidelines* published by the Ceilings & Interior Systems Construction Association.

Notice

We shall not be liable for incidental and consequential damages, directly or indirectly sustained, nor for any loss caused by application of these goods not in accordance with current printed instructions or for other than the intended use. Our liability is expressly limited to replacement of defective goods. Any claim shall be deemed waived unless made in writing to us within thirty (30) days from date it was or reasonably should have been discovered.

Notice

The information in this document is subject to change without notice. CGC Inc. or USG Corp. assumes no responsibility for any errors that may inadvertently appear in this document.

IC605/rev. 6-22
 © 2022 USG Corporation and/or its affiliates. All rights reserved.
 Printed in U.S.A.

Manufactured by
 USG Interiors, LLC
 550 West Adams Street
 Chicago, IL 60661

The trademarks USG, CGC, ACOUSTIBOND, CELEBRATION, COMPASSO, DONN, DXF, FINELINE, PIXELS, SHEETROCK, IT'S YOUR WORLD. BUILD IT, the USG/CGC logo, the design elements and colors, and related marks are trademarks of USG Corporation or its affiliates.

Safety First! Follow good safety/industrial hygiene practices during installation. Wear appropriate personal protective equipment. Read SDS and literature before specification and installation.

