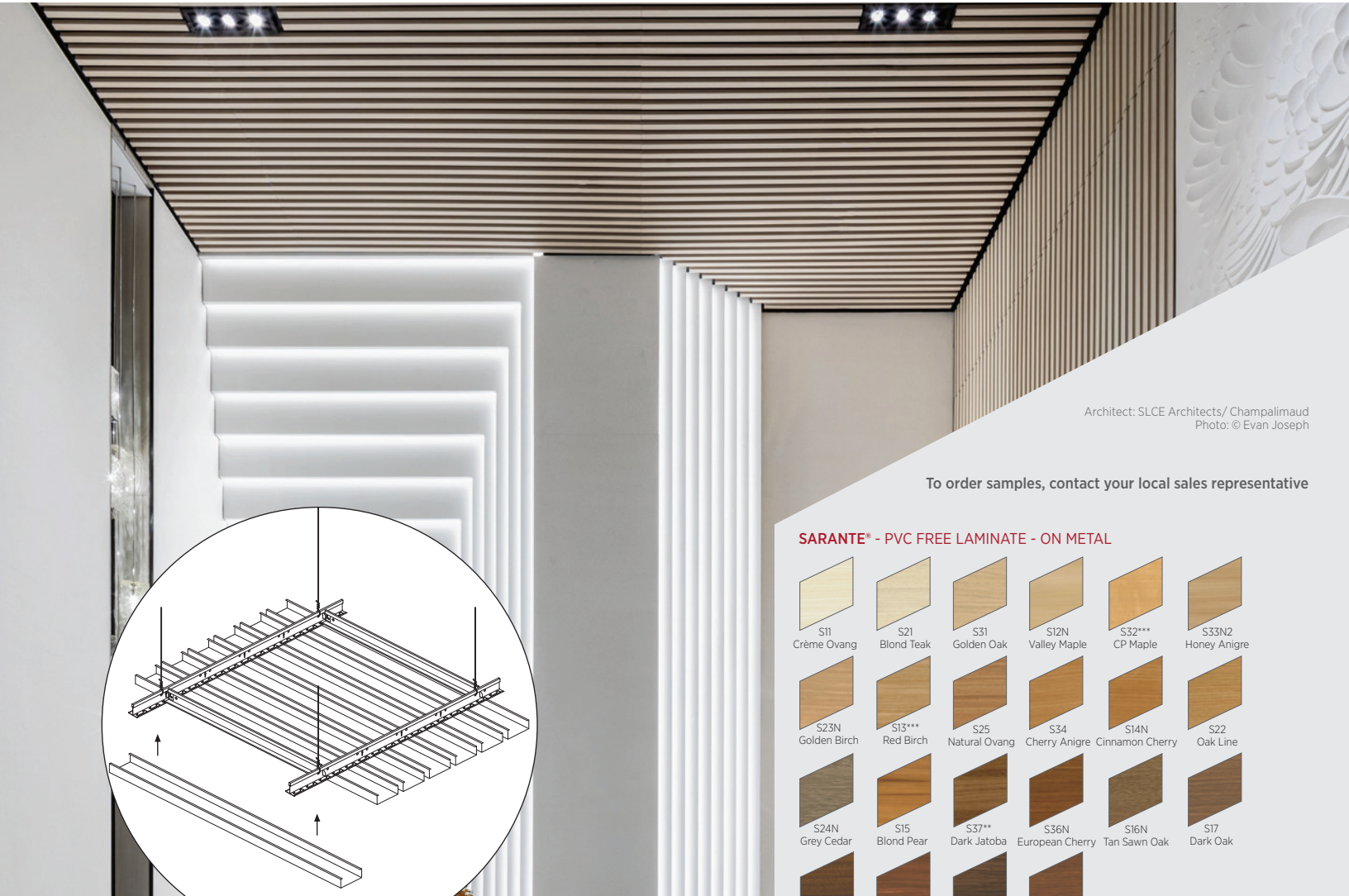


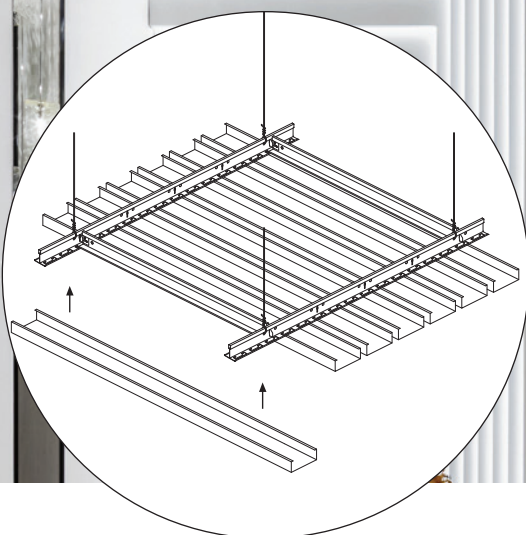
USG Ceilings Plus® PLANX™

LINEAR METAL SUSPENDED CEILING SYSTEM

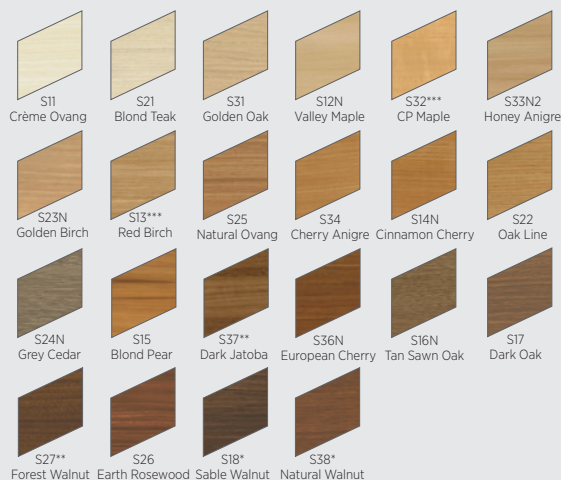


Architect: SLCE Architects/ Champalimaud
Photo: © Evan Joseph

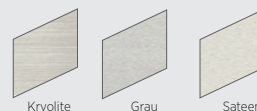
To order samples, contact your local sales representative



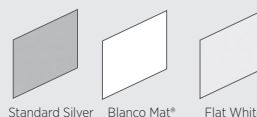
SARANTE® - PVC FREE LAMINATE - ON METAL



ANODIZED - ON METAL



PAINTED - ON METAL



FEATURES AND BENEFITS

- Recommend access doors for plenum accessibility.
- Third party integration of diffusers, lights, speakers, sprinklers, wifi, etc (independently suspended).
- Acoustical performance utilizing perforations and sound absorbing materials including Acoustibond and Ultrasorb.
- Standard and customizable perforations are available to create visual patterns.
- Available in various sizes and layout options.
- Varied mounting arrangements are available to respond to any installation requirements or conditions.
- Class A per ASTM E84, Zero Flame Spread, non-combustible aluminum core Fire Classification.

APPLICATIONS

- | | |
|--------------------------------------|-----------------------|
| • Interior and Exterior Applications | • Sloped Ceilings |
| • Pods, Islands, and Clouds | • New Construction |
| • Wall to Wall Ceilings | • Downward Accessible |
| • Wall Applications | • Concealed Grid |

USG Ceilings Plus® PLANX™

LINEAR METAL SUSPENDED CEILING SYSTEM

ORDER SAMPLES/LITERATURE
Contact your local sales rep.

**FOR MOST UP-TO-DATE
TECHNICAL INFORMATION
AND LEED REPORT TOOL**
Contact your local sales rep.

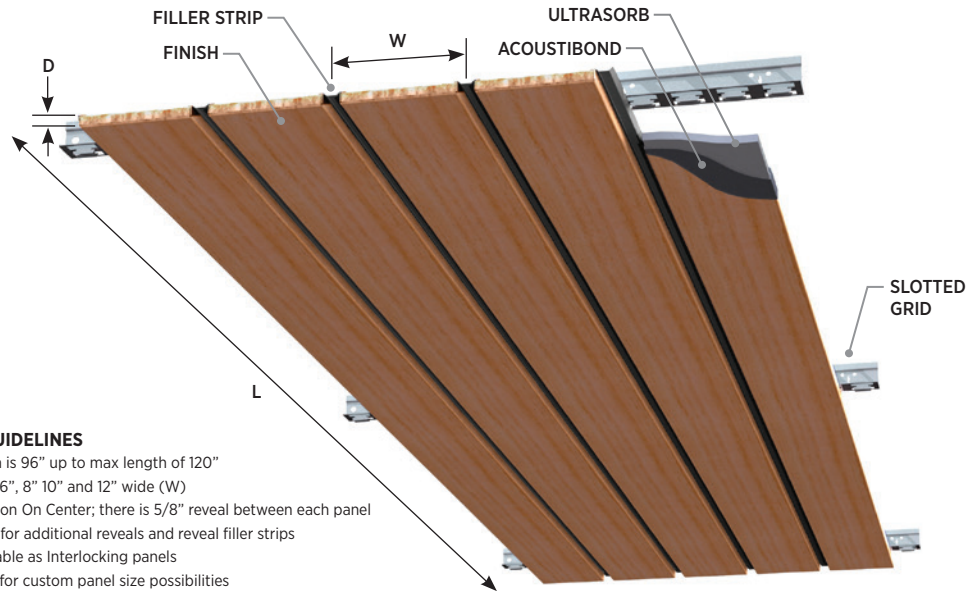
TECHNICAL SERVICES
Contact your local sales rep.

Declare. Declare® Labels on select finishes, see usg.com for more details and documentation.

PERFORMANCE OPTIONS

Application	Grid Options	Finish	Accessibility	Item No.	Acoustics	NRC	Perforation	Fire Rating	Recycled Content	Maintenance
Interior, Exterior	Slotted Grid or Interlocking Tee Grid	Sarante**, Anodized, Painted	Limited Snap-In, Interlocking Progressive Install	---	Acoustibond, Ultrasorb	0.70 - 0.95 (Requires Ultrasorb and perforations)	Standard, Custom	Class A, ASTM E84 CAN/ULC S102	Up to 90%, finish dependent (hardware excluded)	See architectural specification

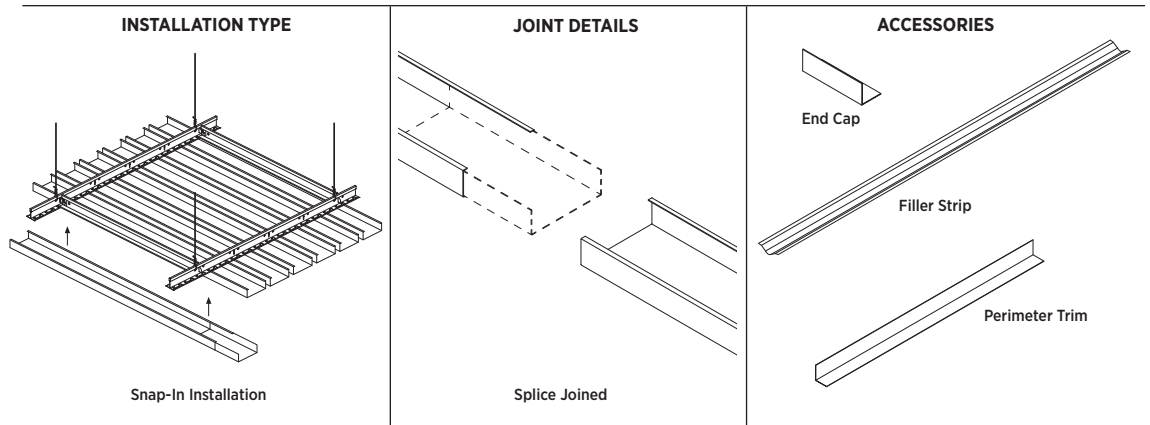
DESIGN PARAMETERS



PANEL SIZE GUIDELINES

- Standard length is 96" up to max length of 120"
- Profiles are: 4", 6", 8", 10" and 12" wide (W)
- Profile is based on On Center; there is 5/8" reveal between each panel
- Consult factory for additional reveals and reveal filler strips
- Butt Joint available as Interlocking panels
- Consult factory for custom panel size possibilities

DETAIL & ACCESSORIES



Low Emissions (VOC)

CDPH 01350 v1.2-2017 compliance on select finishes, see usg.com for more details and documentation.

PHYSICAL DATA

Product Literature

Please contact your local sales representative for the following documents:

- ◆ Architectural Specification
- ◆ Installation Manual
- ◆ Cleaning Instructions: IC518
- ◆ Warranty: SC2102
- ◆ System Guide

Fire Classification

ASTM E84 and CAN/ULC S102 Surface burning characteristics
Class A
Flame Spread: 25 or less
Smoke development: 50 or less

Suspension System

Planx suspension system is ICC approved in accordance with International Building Code standards for seismic categories A, B, C, D, E, F. Calculations to support slotted grid and "heavy duty" rating is available upon request.

Seismic Compliance

USG Ceiling Plus designs, engineers and manufactures ceiling systems using heavy duty rated tee bar suspension components as outlined in ASTM C635 for all of its ceiling systems (as applicable). Full report is available upon request.

Structural Test Reports

USG Ceilings Plus has developed Planx ceiling systems to meet ASTM 635, ASTM 636 and typical local building code requirements. Test reports for suspension system performance may be available upon written request.

Integration

Planx can accommodate a full range of Third-Party systems for any design intent. Air diffusers, speakers, sprinklers and other ceiling attached accessories can be independently attached to deck within our ceilings. CAD details are available online at www.ceilingplus.com.

Modification

Panels are easily modified in the field with standard tools. See our full list of CAD details.

Acoustics

Utilizing perforations and sound absorbing materials, we can meet your NRC requirement with Acoustibond and/or Ultrasorb. Fiberglass batts and duct liner are available upon request.

Footnotes

- * Available in exterior
- ** Available in 48" wide
- *** Available in both exterior and 48" wide

Notice

The information in this document is subject to change without notice. CGC Inc. or USG Corp. assumes no responsibility for any errors that may inadvertently appear in this document.

IC5416/rev. 12-22

© 2022 USG Corporation and/or its affiliates. All rights reserved. Printed in U.S.A.

Manufactured by USG Interiors, LLC
550 West Adams Street
Chicago, IL 60661

The trademarks USG, CEILINGS PLUS, CGC, BLANCO MAT, PLANX, SARANTE, the USG/CGC logo, the Ceilings Plus logo, the design elements and colors, and related marks are trademarks of USG Corporation or its affiliates.

Safety First! Follow good safety/industrial hygiene practices during installation. Wear appropriate personal protective equipment. Read SDS and literature before specification and installation.

