

USG CELEBRATION™ CANOPIES



USG Celebration™ Canopies,
Flat White
NKarta
Architect: Pencil Box Architects
Photo: ©Robert Calderwood

TO ORDER SAMPLES, GO TO USG.COM OR CGCINC.COM

PAINTED METALS



Flat White
050

Silver Satin
002

Blanco
Mat*
4182

WOOD TONES - TEXTURED



Beech
3810

Dark
Bamboo
3808

Light
Bamboo
3809

Dark
Cherry
3811

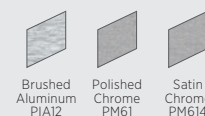
Light
Cherry
3812

Maple
3813

Red Oak
3814

Walnut
3815

ANODIZED METALS



Brushed
Aluminum
PIA12

Polished
Chrome
PM61

Satin
Chrome
PM614

CUSTOM COLORS AVAILABLE



FEATURES AND BENEFITS

- Aluminum panels provide a monolithic appearance.
- Durable and easy to maintain.
- Shipped pre-assembled, ready for easy and fast installation.
- Specially engineered hardware allows for simple suspension.
- Exceptional noise reduction with absorption from both the front and back of the panels.
- High light-reflective finish (LR-0.93) for Blanco Mat®, 4182.
- Integral return edge requires no finish trim.
- Concealed suspension components with no visible hardware.
- Innovative connection options allow for grouped and ungrouped designs.
- Unconstrained by a linked suspension system to allow freedom of assembly and alignment.

APPLICATIONS

- Interior Applications
- Pods, Islands, and Clouds
- Sloped Ceilings
- New Construction or Renovation
- Layout is Field Customizable



USG CELEBRATION™ CANOPIES

ORDER SAMPLES/LITERATURE
 USG: usg.com or samplitt@usg.com
 CGC: contact Sales Representative

TECHNICAL SERVICES
 800.USG.4YOU (874-4968)

FOR MOST UP-TO-DATE TECHNICAL INFORMATION AND LEED REPORT TOOL
 usgdesignstudio.com
 cgcdesignstudio.com



PRODUCT INFORMATION¹

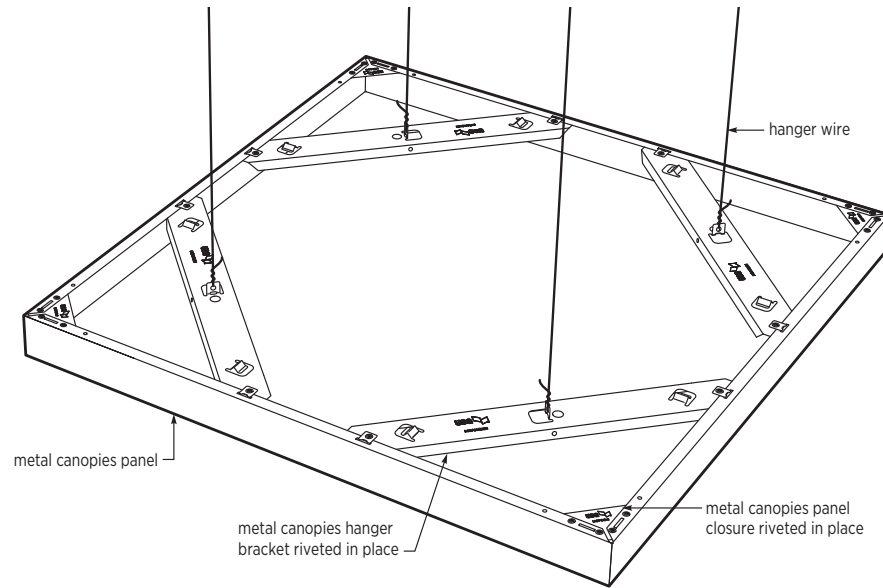
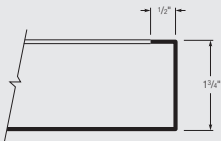
Materials	Edge	Panel Size	Fire Rating	LR	Recycled Content	Acoustical Performance Data	Weight
Aluminum panels; painted and anodized	1.75 in. 90° vertical return leg with 1/2 in. horizontal return flange	24" x 24"; 24" x 48"; 24" x 60"; 24" x 72"; 24" x 96"; 30" x 30"; 30" x 60"; 48" x 48"; 48" x 60" Custom size available	Class A ASTM 84	0.93 for Blanco Mat®, 4182 0.80 for Flat White, 050	up to 90%, finish dependent	See <i>USG Celebration™ Canopies Systems Guide</i> (IC633) for acoustical performance data.	0.63 lb./sq. ft.

Finishes

Panels available with perforation. Custom perforation sizes and patterns are available upon inquiry. A special acoustical backing is available for all perforated panels. See *USG Celebration™ Canopies Systems Guide* (IC633) for perforation availability. See *Perforation Selection Guide* (IC425) for custom perforation availability.

PERSPECTIVE

Panel edge section



Note: USG Celebration™ canopies are shipped with the hanger brackets and panel closure brackets assembled and attached.

Low Emissions (VOC)
 CDPH 01350 v1.2-2017 compliance on select finishes, see usg.com for more details and documentation.

High Recycled Content
 USG classifies High Recycled Content as greater than 50%. Total recycled content is based on product composition of postconsumer and preconsumer (postindustrial) recycled content per FTC guidelines.

PHYSICAL DATA

Product literature
 Installation Guide: IC632
 System Guide: IC633
 Data sheet: IC631
 Warranty: SC2102
 Perforations: IC425
 Cleaning Instructions: IC518

Online tools
 usgdesignstudio.com or cgcdesignstudio.com

Installation
 Install according to ASTM C636, ASTM E580, CISCA and USG requirements. Alternate installation methods may be used when approved by the authority having jurisdiction. USG recommends checking with the authority having jurisdiction prior to designing and installing a suspended ceiling system.

ASTM E84 and CAN/ULC S102 surface-burning characteristics (with Acoustibond™ backer)
 Class A
 Flame spread: 25 or less
 Smoke developed: 50 or less

Color variations
 Some commercially acceptable color variation may occur between lots and between different size canopies of the same color.

Note
 1. Celebration™ Canopies available in Blanco Mat® 4182 up to 2' wide and up to 6' long.

Notice
 The information in this document is subject to change without notice. CGC Inc. or USG Corp. assumes no responsibility for any errors that may inadvertently appear in this document.

IC631/rev. 10-23
 © 2023 USG Corporation and/or its affiliates. All rights reserved. Printed in U.S.A.

Manufactured by USG Interiors, LLC
 550 West Adams Street
 Chicago, IL 60661

The trademarks USG, CGC, BLANCO MAT, CELEBRATION, IT'S YOUR WORLD. BUILD IT., the USG/CGC logo, the design elements and colors, and related marks are trademarks of USG Corporation or its affiliates.

Safety First! Follow good safety/industrial hygiene practices during installation. Wear appropriate personal protective equipment. Read SDS and literature before specification and installation.

