

USG CEILINGS PLUS® BEAMZ®

INTERCONNECTED LINEAR MODULAR
SUSPENDED CEILING SYSTEM

INSTALLATION GUIDE

Introduction

Introducing **Beamz**® a new innovative ceiling design brought to you by **USG Ceilings Plus**®. In this manual we'll show you how to perform the installation for this rigid system the right way, the first time, and with confidence.

The purpose of this installation manual is to provide you with general steps on how to properly and safely install the **Beamz**® ceiling system.

Please read this entire manual and familiarize yourself with all procedures before you begin. If you have been supplied with project drawings specific to your order, make sure you have a thorough understanding of those. Any details within those documents will supersede this manual. Work area must be clear of debris and obstacles to ensure a safe and fast installation.

Please work safely!

Table of Contents

Preparation

Component Identification	1
Tools	2

General Installation

Laser mark Hangar Wire Mounting Locations	3
Assembly Details of Square and Rectangle System	4
Installing Cross Beamz to Main Beamz	5
Installation of Diagonal Beamz	6
Installation of Perimeter Trim	7
Diamond Assembly Details	8
Hexagon Hub Layout Details	9
Hexagon Assembly Details	10
Equilateral Triangle Hub Layout Details	11
Equilateral Triangle Assembly Details	12
Right Angle Triangle Hub Layout Details	13
Right Triangle Assembly Details	14

Maintenance

Adjust & Clean	15
----------------	----

Support

Contacts	15
----------	----

Notices

Safety, Installation, Limitation, Liability	16
---	----

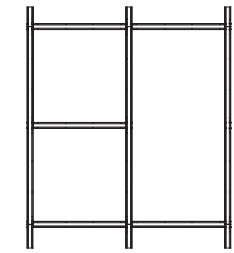
Notes

Planning	17
----------	----

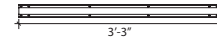
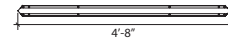
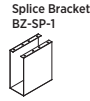
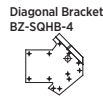
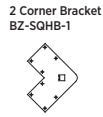
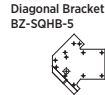
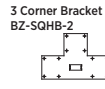
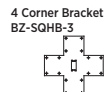
Preparation

Component Identification

Components



SQUARE & RECTANGLE PROFILE

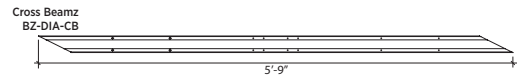
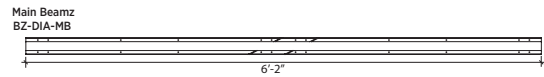
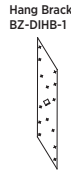
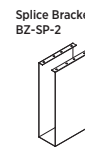
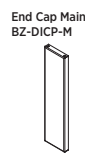


Diagonal Beamz Square
BZ-SQ42-DI

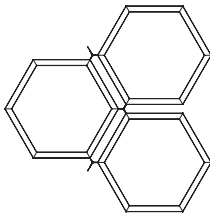
Cross Beamz
BZ-SQ42-CR



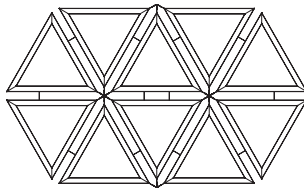
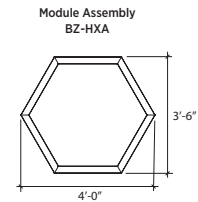
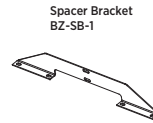
DIAMOND PROFILE



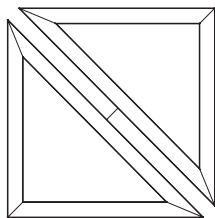
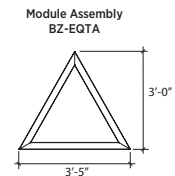
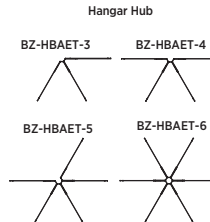
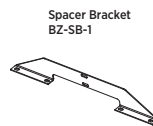
Cross Beamz
BZ-DIA-CB



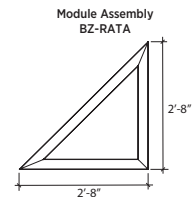
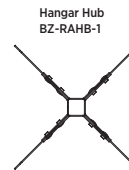
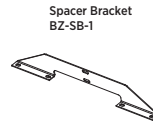
HEXAGON PROFILE



EQUILATERAL TRIANGLE PROFILE



RIGHT ANGLE PROFILE



Preparation

Tools

Standard Tools



Safety Goggles



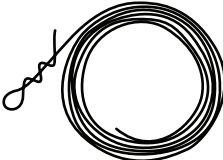
Hard Hat



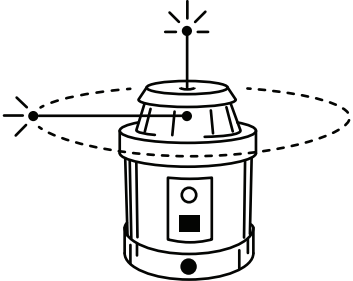
Tape Measure



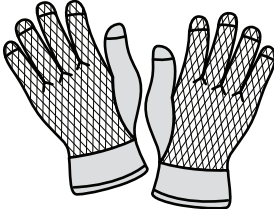
Lineman Wire Cutters



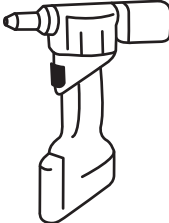
Hanger Wire



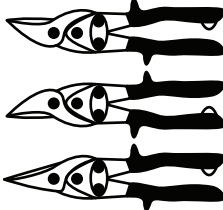
Laser Level



Working Gloves



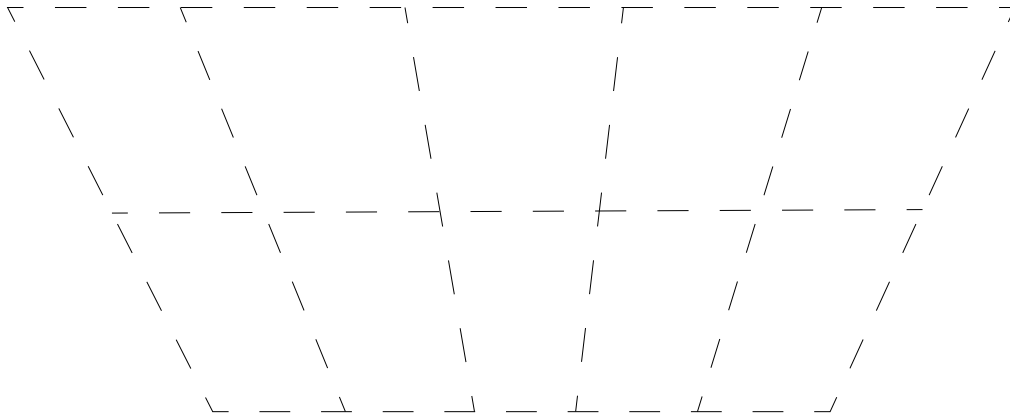
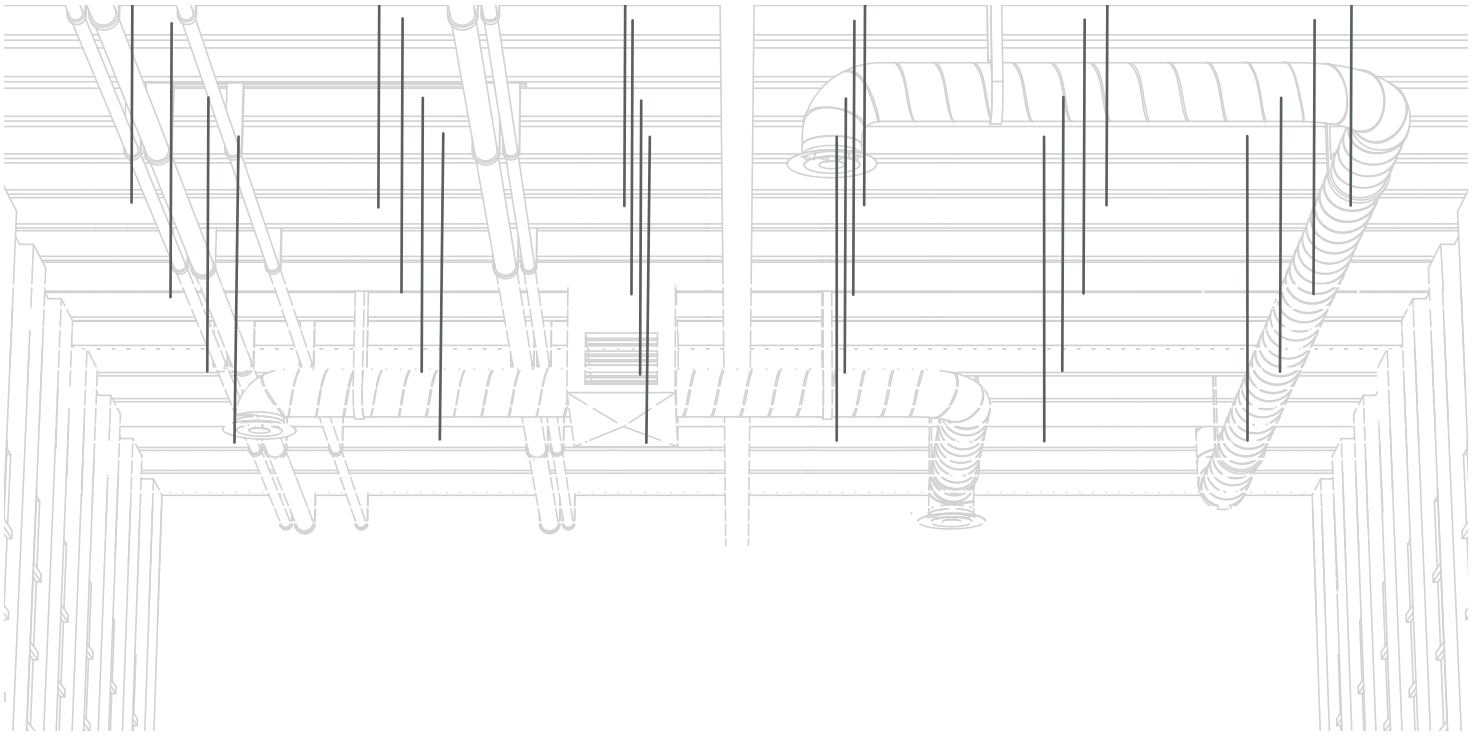
Rivet Gun



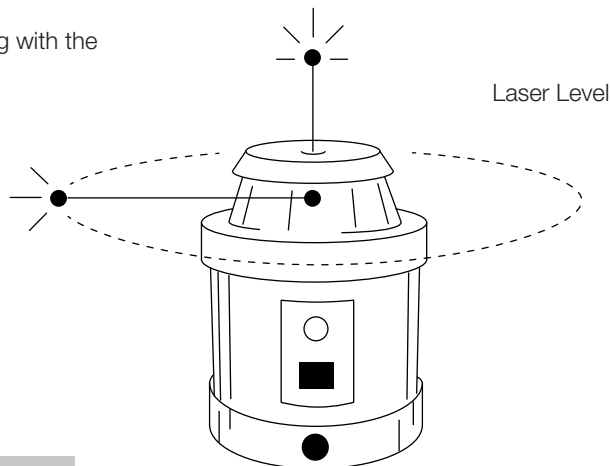
Shears

General Installation

Laser mark Hangar Wire Mounting Locations

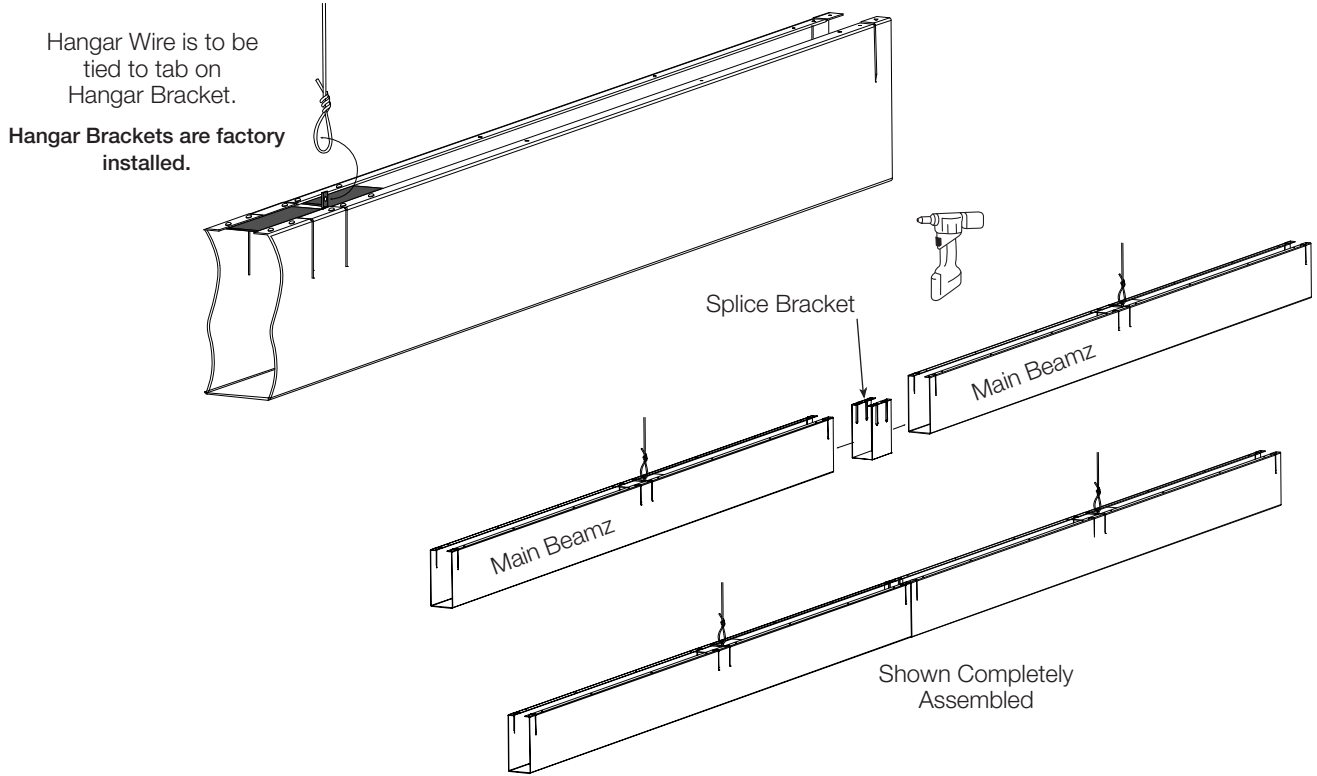


Use laser level to mark ceiling with the mounting locations.



General Installation

Assembly Details of Square and Rectangle System

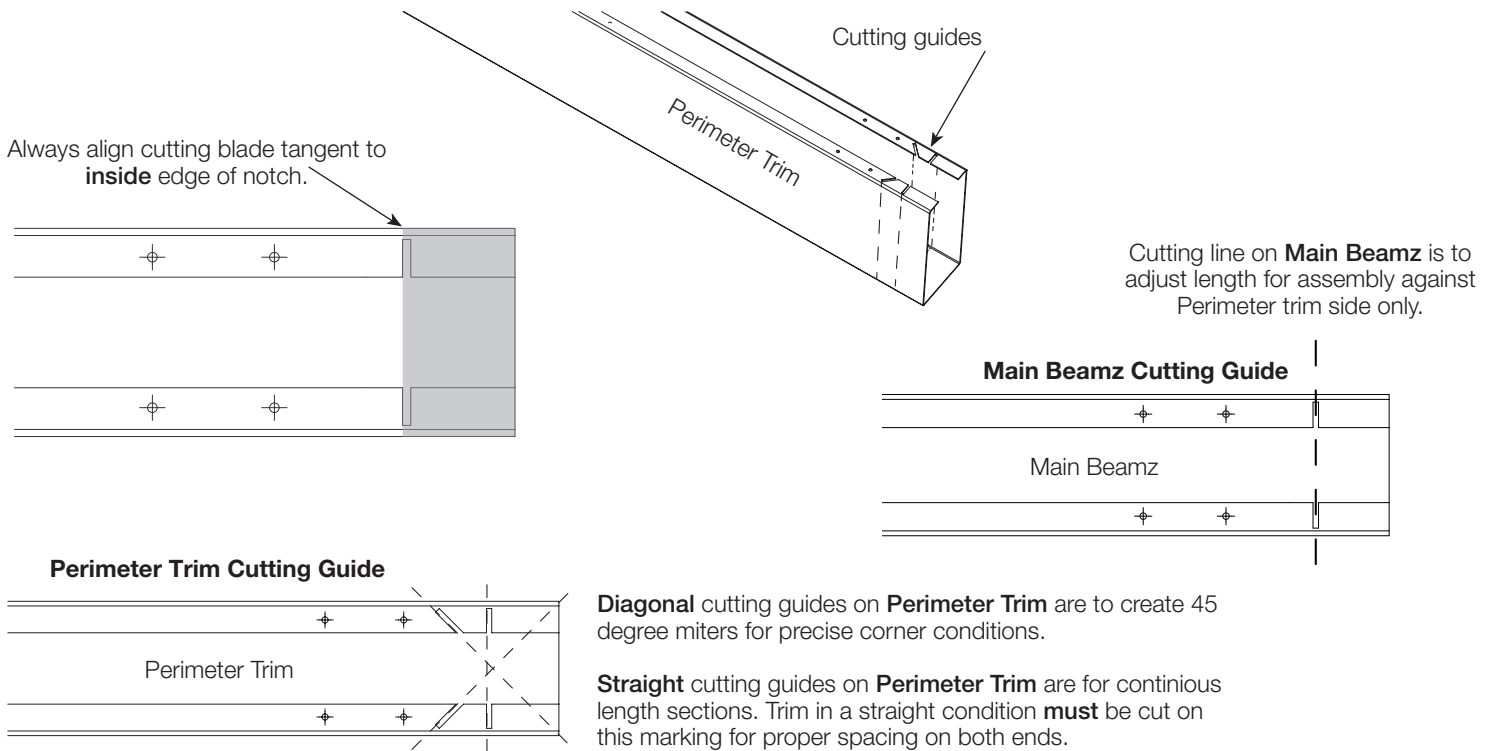


Assembly of Main Beam

Connect Main Beamz members via use of the Splicer Bracket. The Splicer Bracket will sit inside the the Main Beams members and then be riveted in place. Ensure rivets are securely fit.

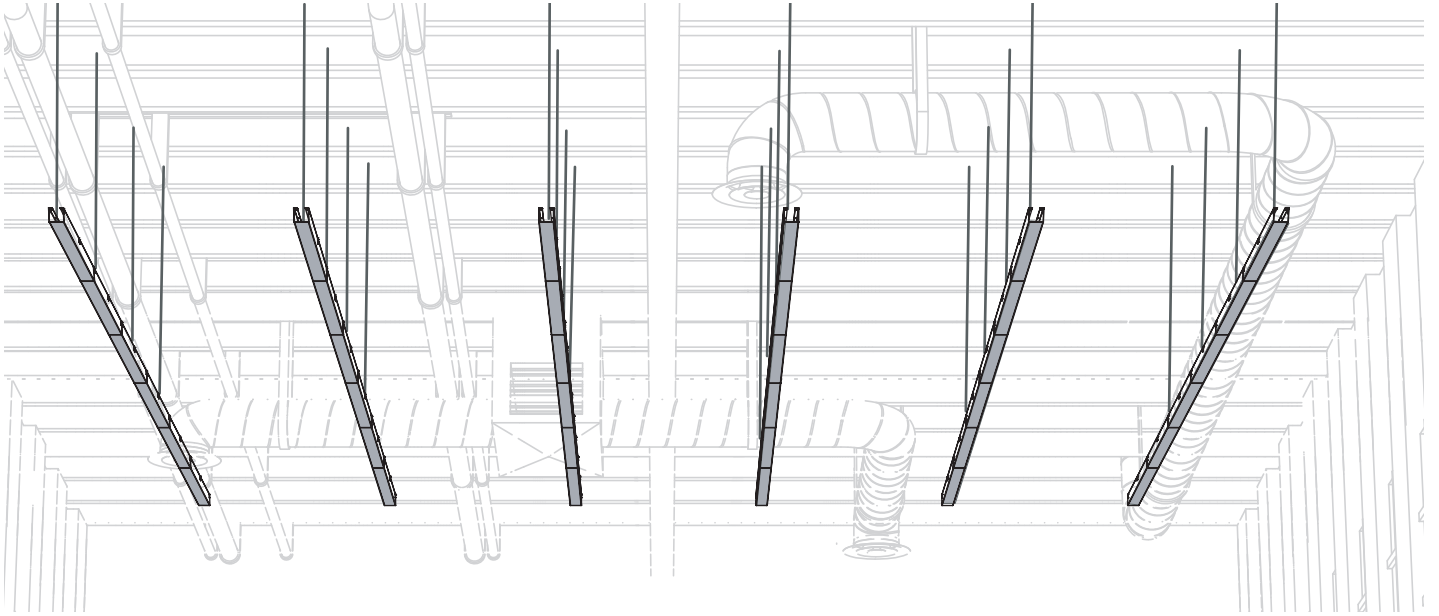
****IMPORTANT NOTE****

Use the cuttings guides on Main Beamz and Perimeter Trim members for concise trimming. See below.



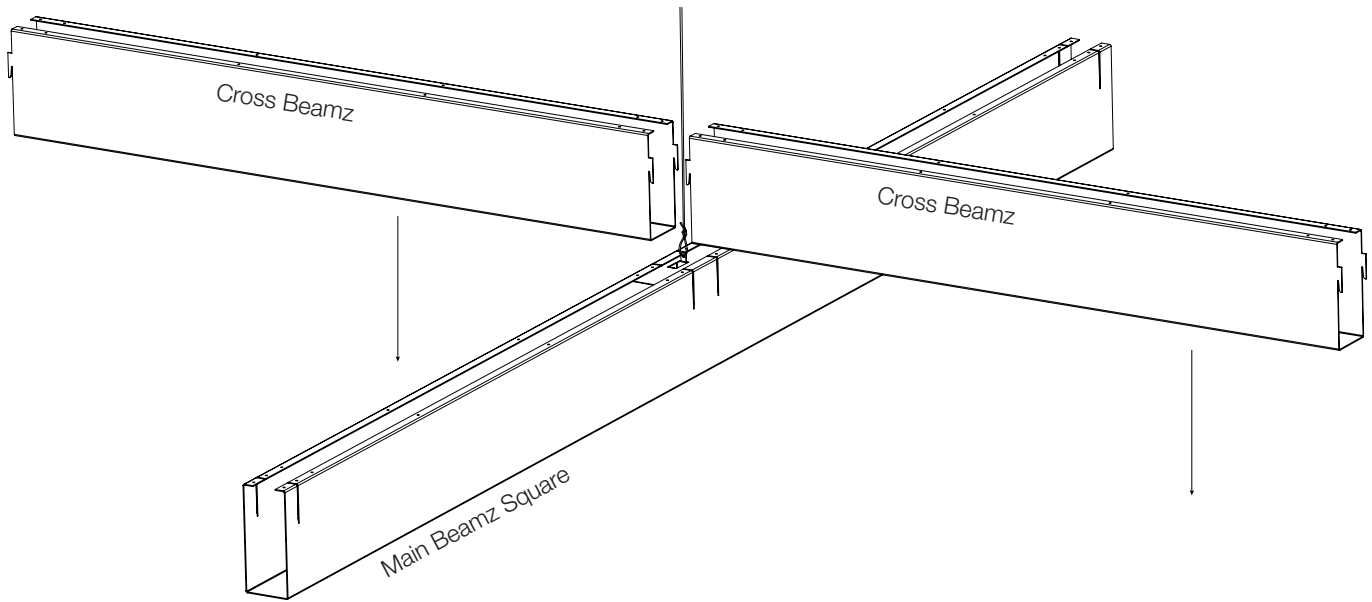
General Installation

Installing Cross Beamz to Main Beamz



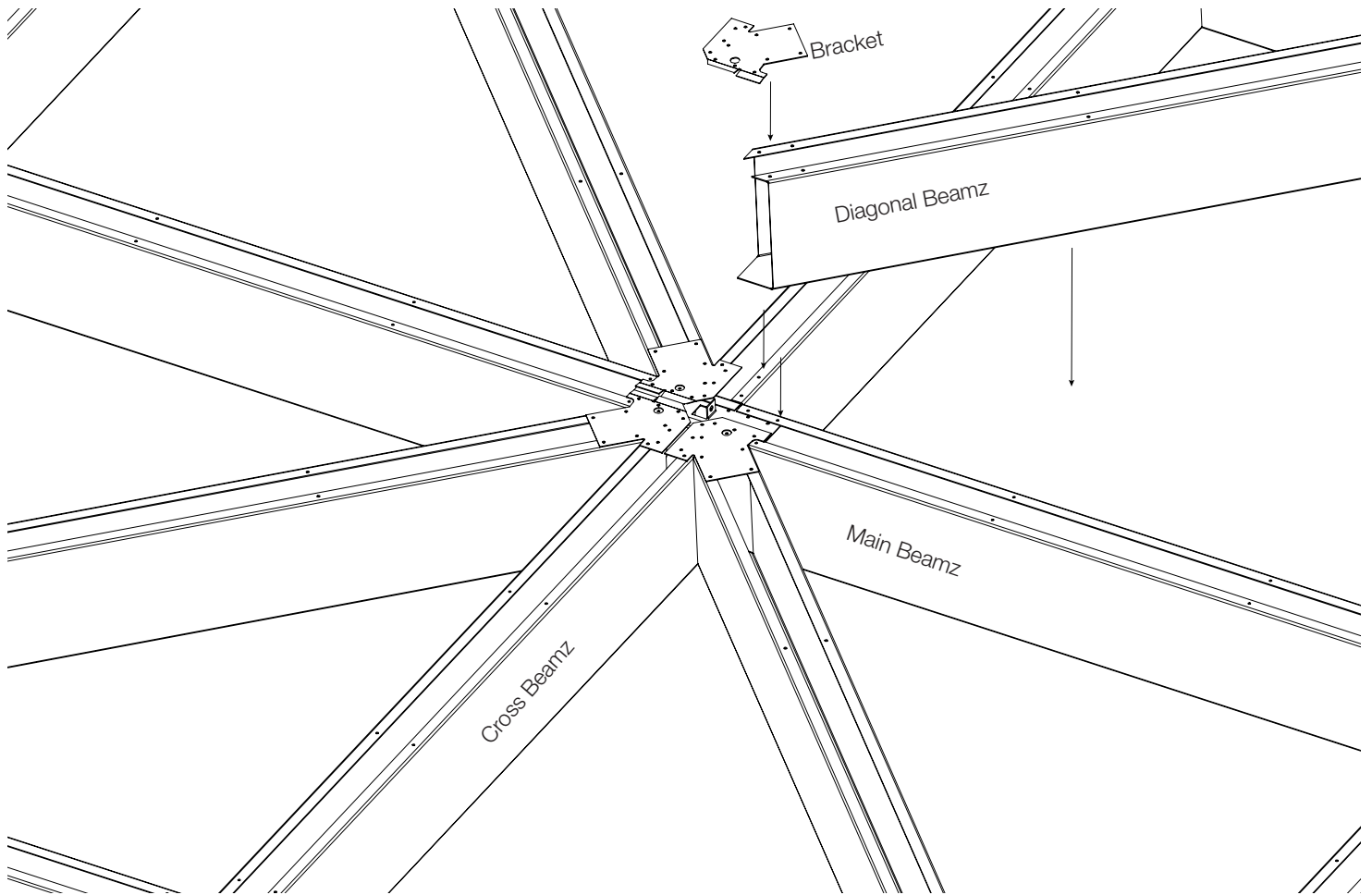
Attaching Cross Beamz to Main Beamz

- Cross Beamz attach to Main Beamz Square by inserting notches into Main Beamz Square.
- Cross Beamz are fully seated in place when the top of the cross beamz is flush with the top of the main beamz.
- Cross Beamz are held in place by friction fit locking tabs. No additional brackets are needed for typical conditions.



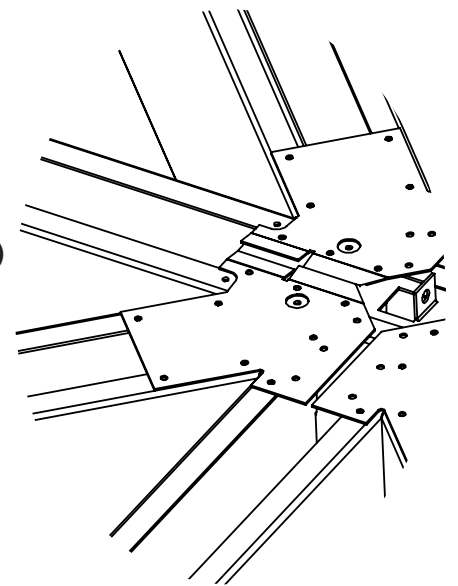
General Installation

Installation of Diagonal Beamz



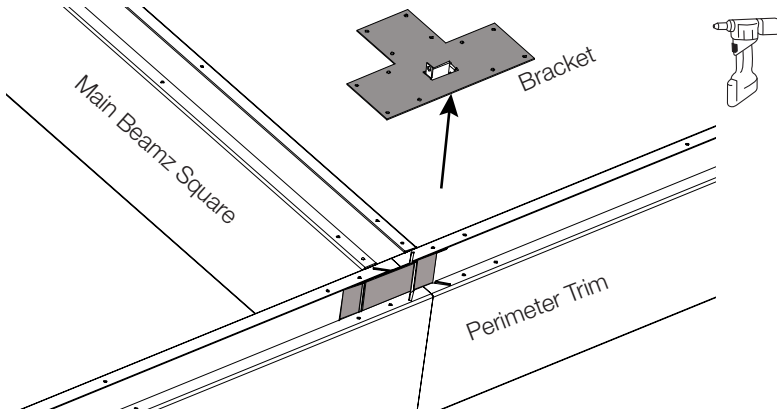
Attaching Diagonal Beamz to Main Beamz Square (shown without Hangar Wire for clarity)

- Insert Diagonal Beamz into assembly, ensure top edges are flush.
- Secure diagonal mounting plate by riveting to Diagonal Beamz & Cross Beamz
- Ensure both ends of Diagonal Beamz are secured with diagonal mounting plate.



General Installation

Installation of Perimeter Trim

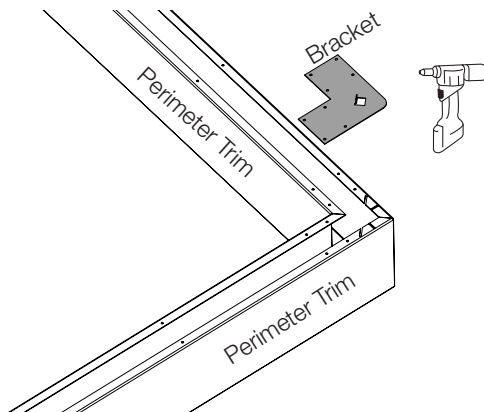


Perimeter Trim Fastening

Trim Main Beamz along trim line on Perimeter Trim side.

Secure the Perimeter Trim to the Main Beamz by using the appropriate tee bracket.

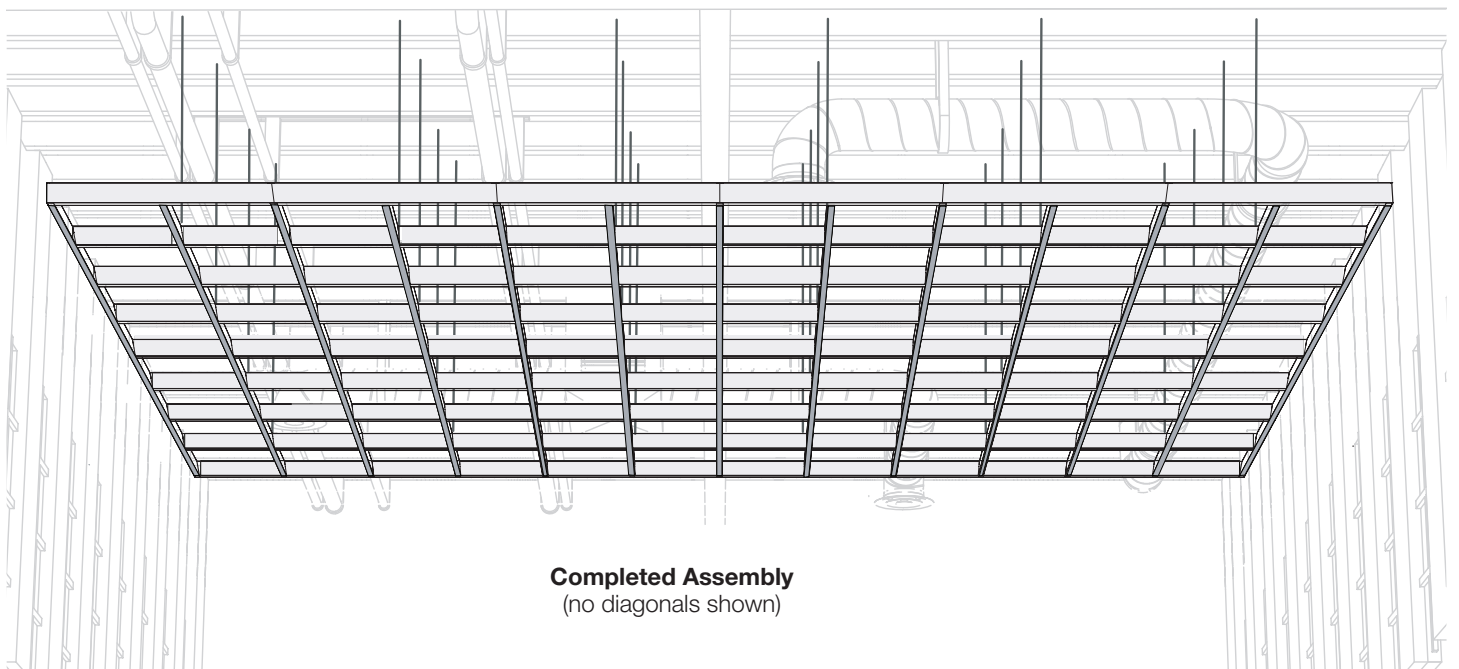
Ensure Perimeter Trim is flush to Main Beamz before securing with rivets.



Perimeter Trim Install Corner:

To join two perimeter trim sections at a corner, use the 2 way corner bracket.

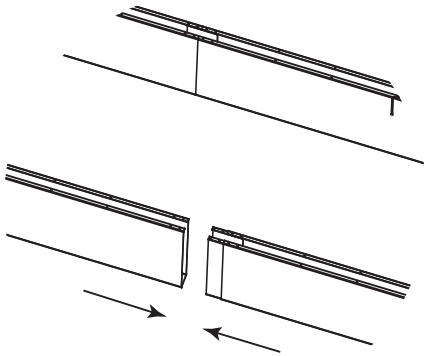
Secure the corner bracket to the Perimeter Trim using rivets.



Completed Assembly
(no diagonals shown)

General Installation

Diamond Assembly Details



STEP 1:

Start by joining Diamond Main Beamz sections together using the splice bracket.

Slide the splice bracket into one end of the Main Beamz and set using DC tape. Slide the splice bracket and Beamz assembly into the additional Main Beamz sections, and set using DC tape.

Secure the Beamz by using rivets.

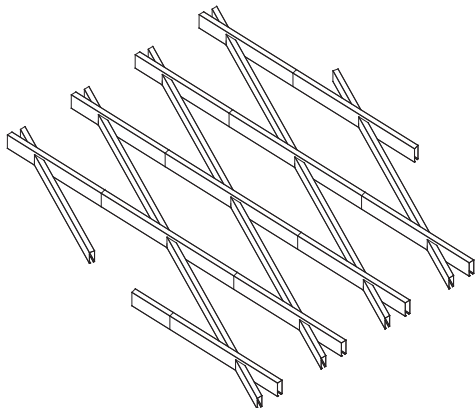
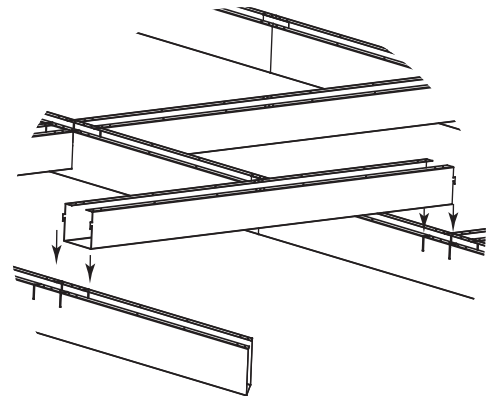
STEP 2:

Install Cross Beamz by carefully aligning the tabs into the notches.

Slide the Cross Beam into place. Install both ends simultaneously to ensure no binding or bending of the tabs during insertion.

The last 1/4 inch on insertion will require extra force to secure the Cross Beamz into the locking tabs of the Main Beamz.

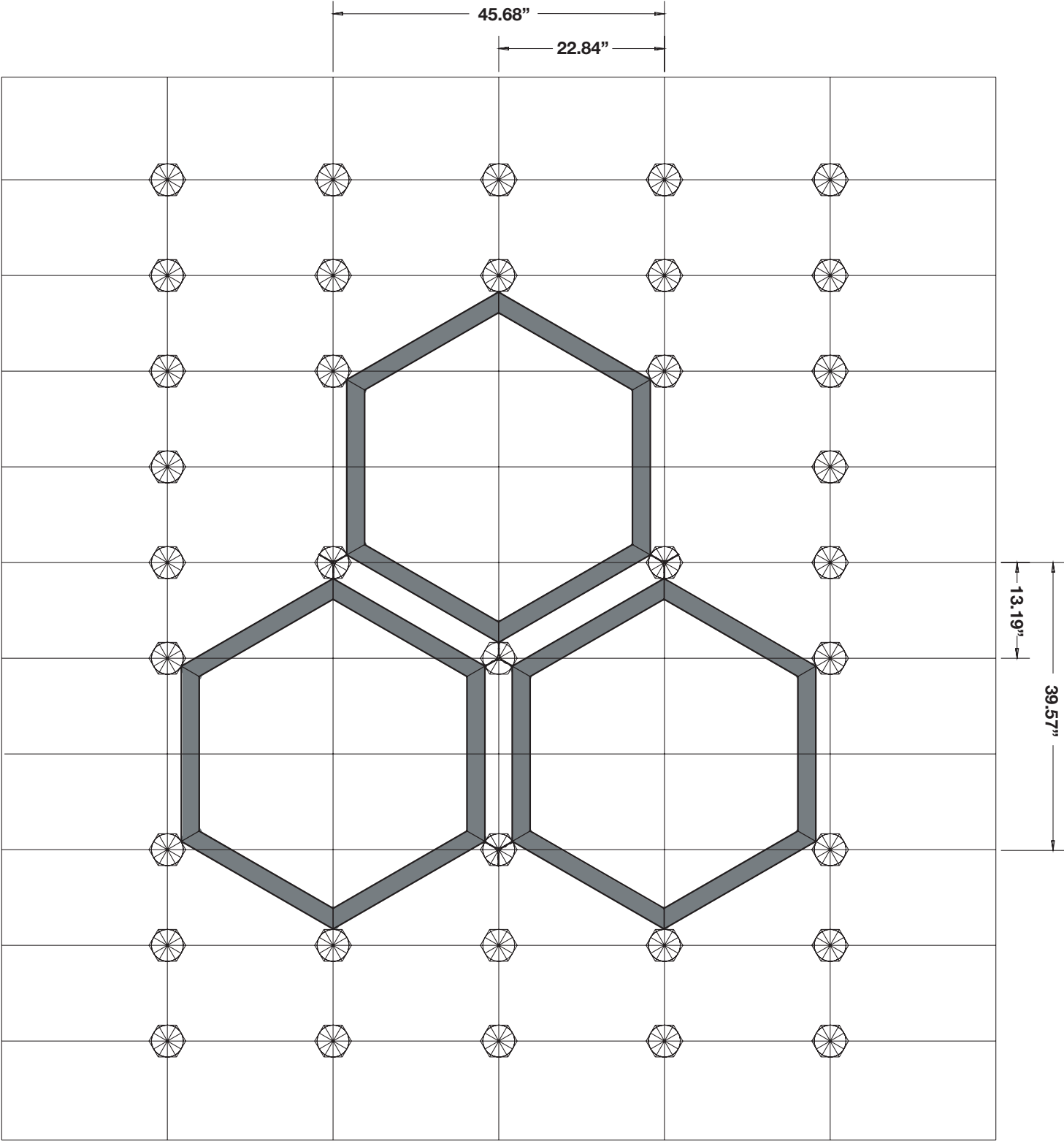
Confirm flush fitment with the top of the Main Beams.



Completed Diamond Assembly Section Shown.

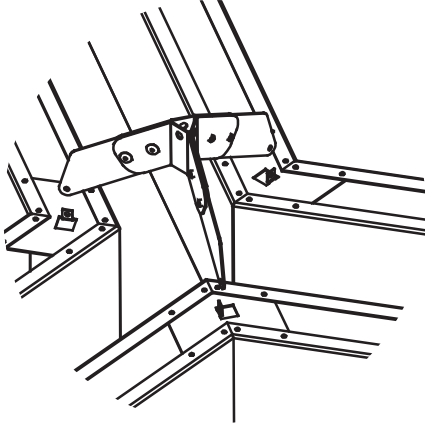
General Installation

Hexagon Hub Layout Details



General Installation

Hexagon Assembly Details



STEP 1:

Align the Hexagon pod's hanger plate to the hanger hub.

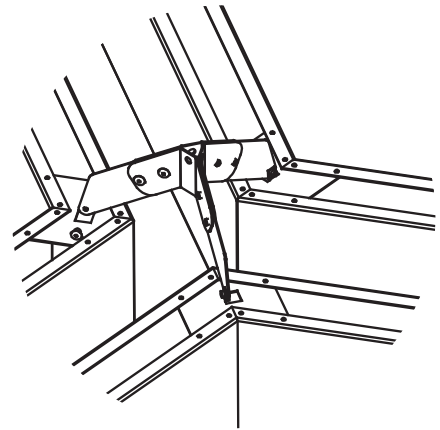
Each leg of the hanger hub shall be located on the inside of the hanger plate (square cutout side) for proper module alignment.

Hang a minimum of three opposing hanger hubs before hanging any Hexagon pods.

STEP 2:

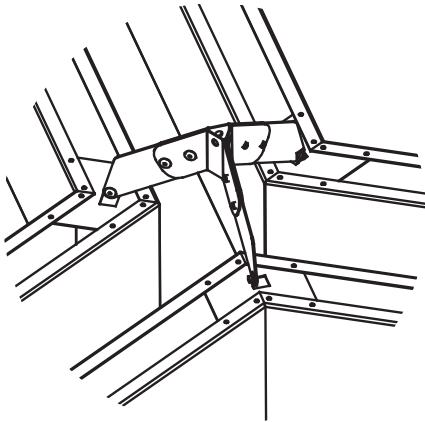
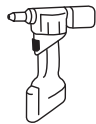
Loosely install rivets through the hanger hub to the hanger plate.

Note: head of rivet shall be on the hanger hub side.

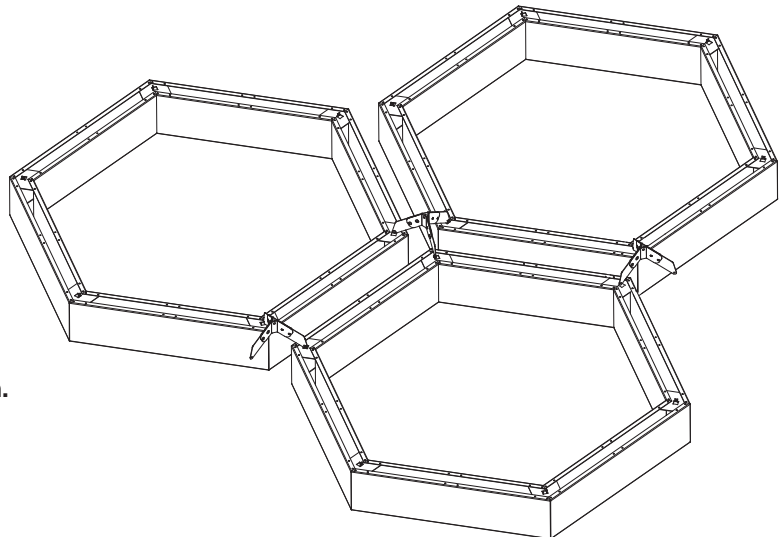


STEP 3:

Confirm Hexagon pod is square and level in all directions, then clinch rivets into place.

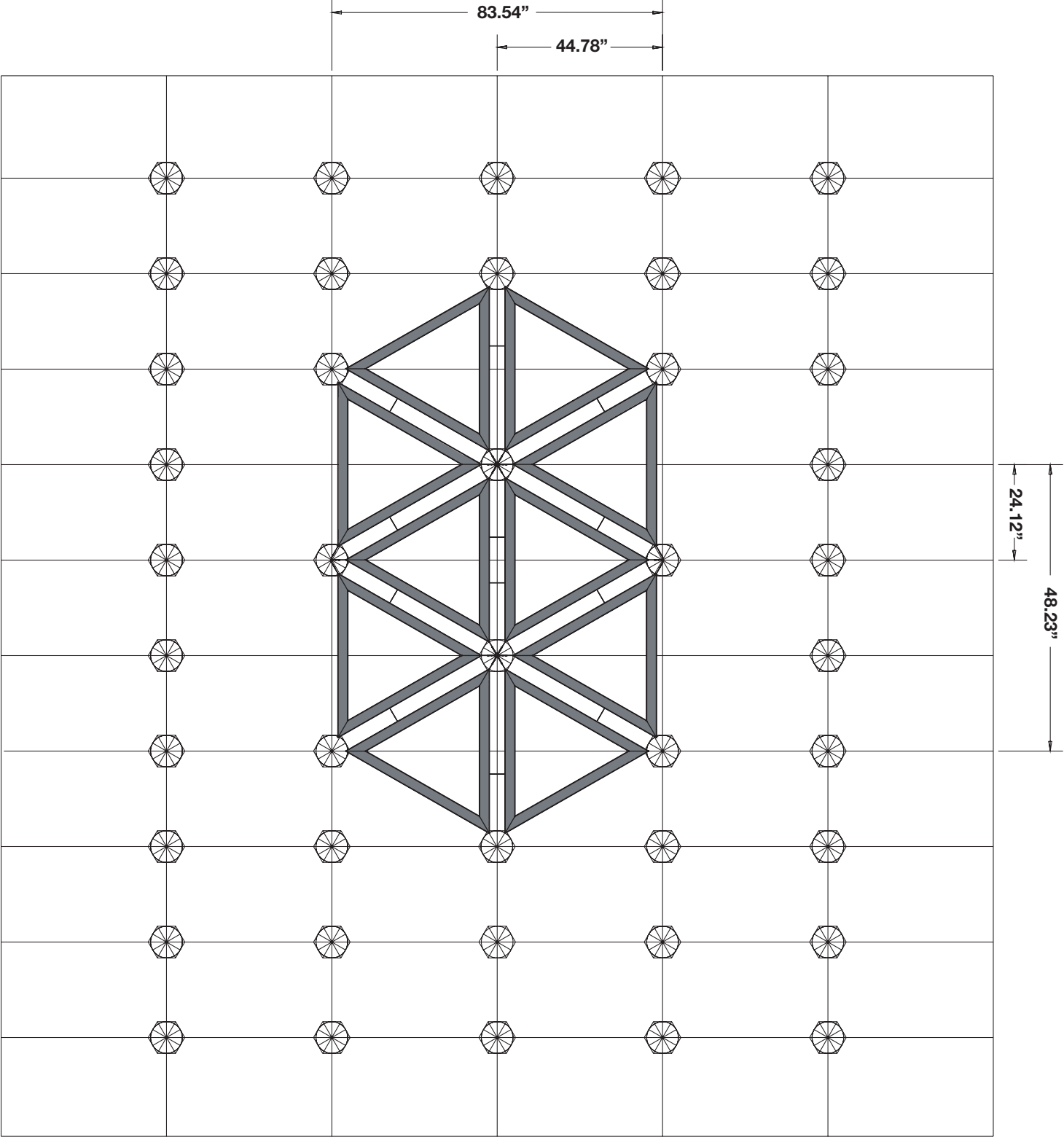


Hexagon Pod Assembly Shown.



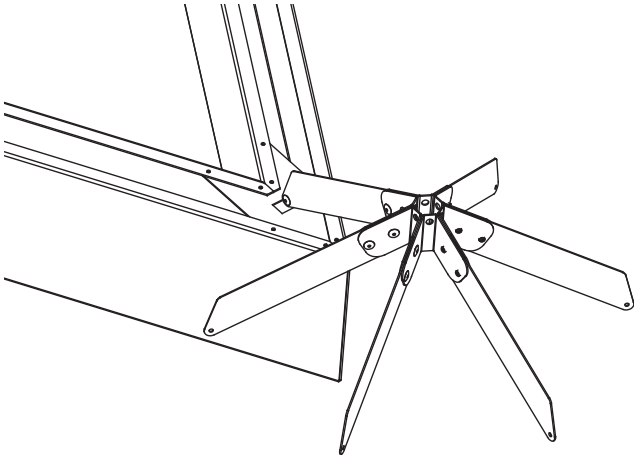
General Installation

Equilateral Triangle Hub Layout Details



General Installation

Equilateral Triangle Assembly Details

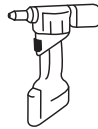


STEP 1:

Install hanger hubs into place and secure using hanger wire.

Each leg of the hanger hub shall be located on the inside of the hanger plate (square cutout side) for proper module alignment.

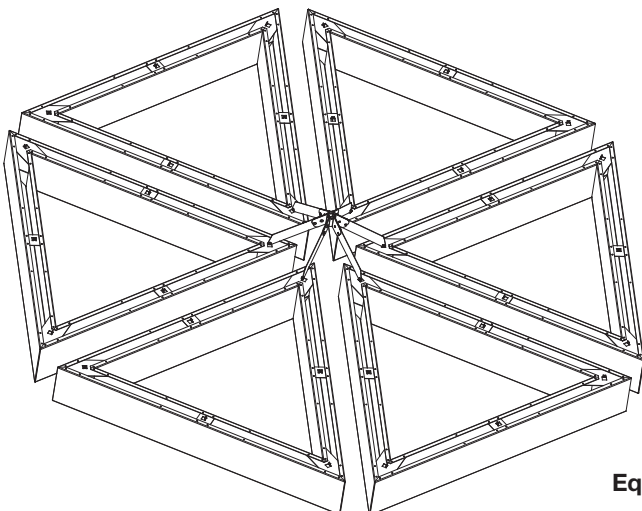
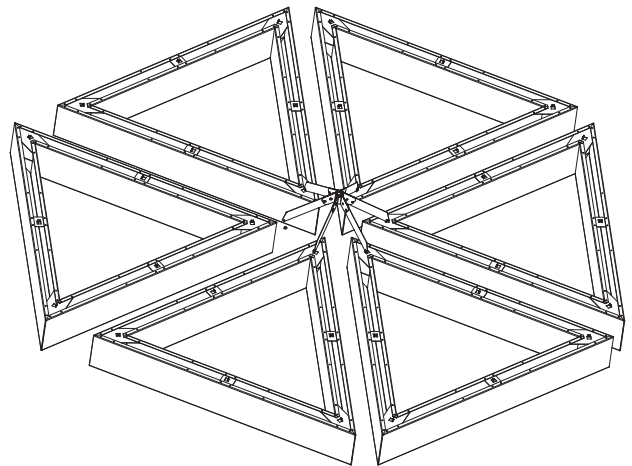
Hang a minimum of three opposing hanger hubs before hanging any Equilateral Triangle pods.



STEP 2:

Hang Equilateral Triangle pods loosely to hanger hubs and ensure each pod is level in all directions.

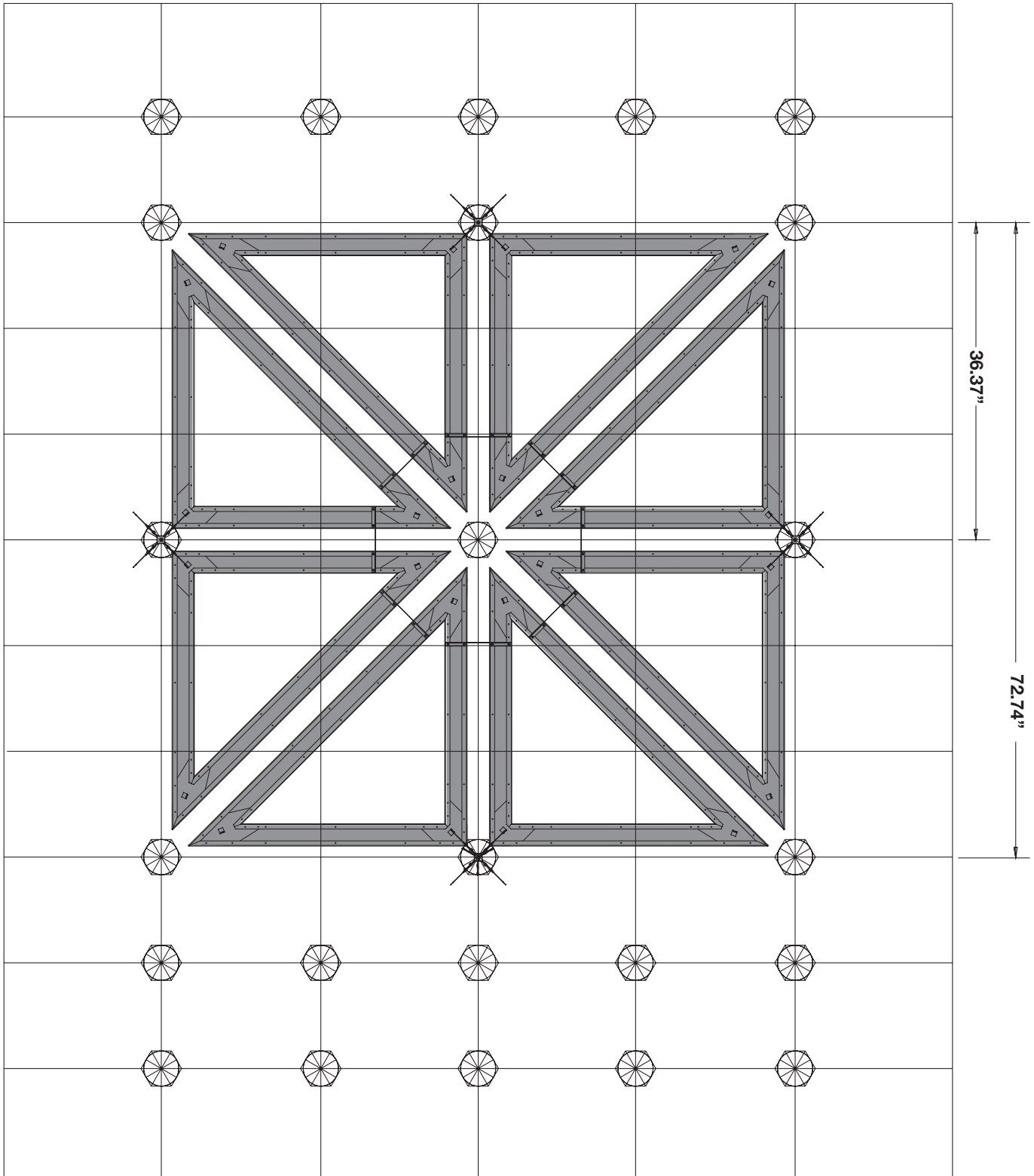
Secure Equilateral Triangle pods to hanger hubs using rivets.



Equilateral Triangle Pod Shown.

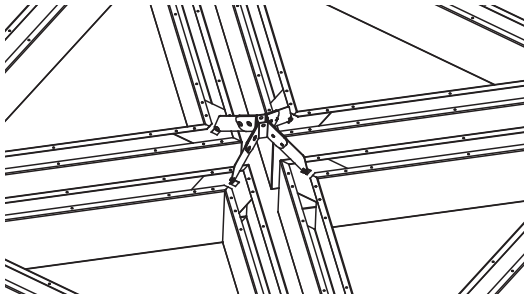
General Installation

Right Angle Triangle Hub Layout Details



General Installation

Right Triangle Assembly Details



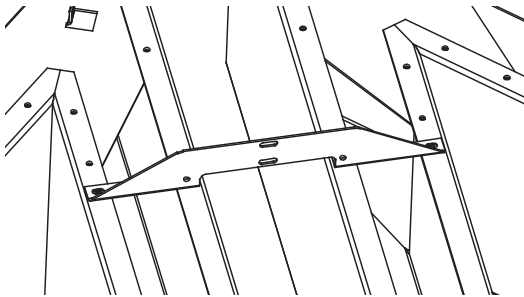
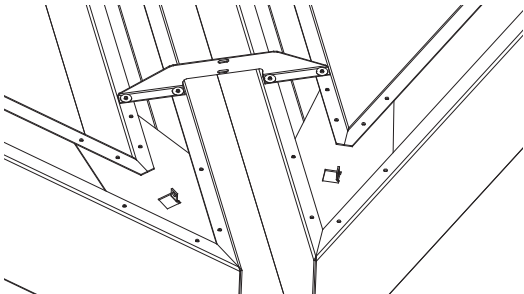
STEP 1:

locate and hang the hanger hubs onto 90° intersection points and secure using hanger wire.

Each leg of the hanger hub shall be located on the inside of the hanger plate (square cutout side) for proper module alignment.

Install spacer brackets onto the outermost holes of the acute ends of the pod assembly

STEP 2:



STEP 3:

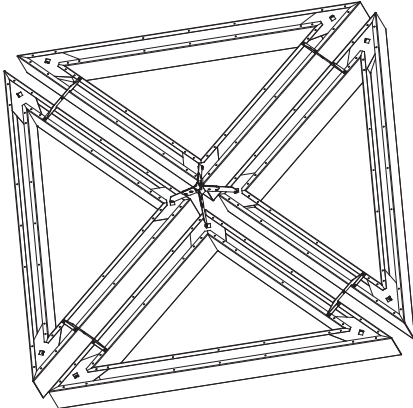
Install adjacent Right angle pod assemblies to each other using spacer brackets.

Spacer brackets can also be used as hanger wire points.

Secure brackets using rivets

Loosely hang Right Angle pods into place and ensure they are level in all directions, then secure to hanger hubs and brackets.

Completed Right Triangle Pod shown.



Maintenance

Adjust & Clean

- A.** Beamz® is meant for indoor applications only.
- B.** Adjust ceiling components to provide a consistent finish and appearance in conformity with established tolerances and requirements.
- C.** Make sure to have clean hands at all times when handling/touching panels.
- D.** Clean exposed surfaces of acoustical metal panel ceilings and walls. Comply with manufacturer's written instructions for cleaning and touch-up of minor finish damage.
- E.** Remove and replace work that cannot be successfully cleaned and repaired to permanently eliminate evidence of damage, including dented and bent units.

Support

Contacts

Contact your sales rep for any additional support.

Notices

Safety, Installation, Limitation, Liability

SAFETY

Safety First! Follow good safety/industrial hygiene practices during installation. Wear appropriate personal protective equipment. Read SDS and literature before specification and installation. Be cautious with exposed sharp edges when handling ceiling system components.

INSTALLATION

Prior to installation, make sure your project complies with any seismic & non-seismic requirements. Must be installed in compliance with ASTM C636, ASTM E580, utilizing standard industry practices and adopting applicable code requirements. Alternative assemblies and installation methods may be utilized when approved by the authority having jurisdiction. USG Ceiling Plus recommends checking with the authority having jurisdiction prior to designing and installing a suspended ceiling system.

LIMITATION

Some commercially acceptable color variation may occur between lots and between different size products of the same color.

LIABILITY

We shall not be liable for any incidental and consequential damages, directly or indirectly sustained, nor for any loss caused by application of these goods not in accordance with current printed instructions or for other than the intended use. Our liability is expressly limited to replacement of defective goods. Any claim shall be deemed waived unless made in writing to us within thirty (30) days from date it was or reasonably should have been discovered. This product is covered under the standard warranty for USG Ceilings Plus products. For terms and conditions please visit www.usg.com

