



USG CEILINGS PLUS[®]
COLORTEX™ RADIALZ™
ACOUSTIC PANEL SOLUTIONS

INSTALLATION GUIDE



Introduction

Enter **COLORTEX™ RADIALZ™** - Innovative ceiling designs brought to you by **USG Ceilings Plus®**. In this manual we'll show you how to perform the installation the right way, the first time. Go ahead, install with a smile..

The purpose of this installation manual is to provide you with general steps and procedures on how to properly and safely install **COLORTEX™ RADIALZ™** ceiling systems.

Please read this entire manual and familiarize yourself with all procedures before you begin. If you have been supplied with project drawings specific to your order, make sure you have a thorough understanding of those. Any details within those documents will supersede this manual. Work area must be clear of debris and obstacles to ensure a safe and fast installation.

Please work safely!

Table of Contents

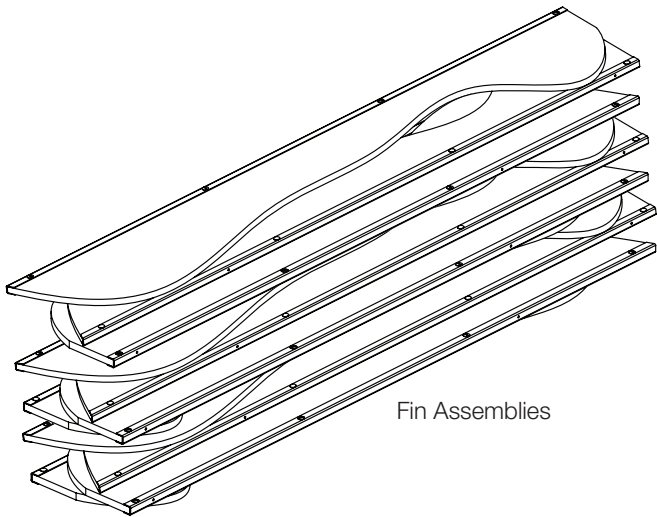
Preparation	
Component Identification	1
Tools	2
Pod Assembly	
Attach Fins & Channels	3
Join Quadrants/Octants	4
Attach Cables to Pod & Ceiling	5
Raise & Level Pod	6
Maintenance	
Adjust & Clean	7
Support	
Contacts	7
Notices	
	8

Preparation

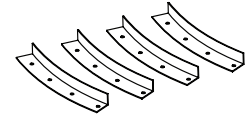
Component Identification

Components

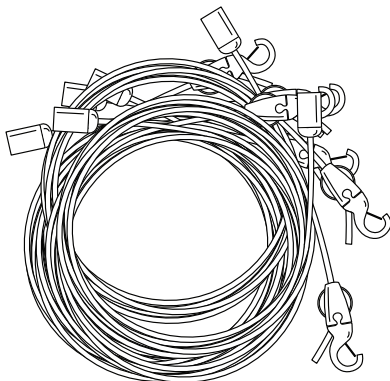
Radialz come with all components needed to build a complete assembly as shown.



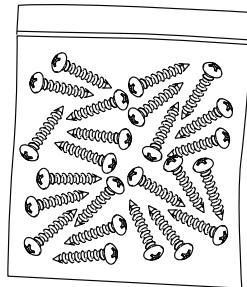
Fin Assemblies



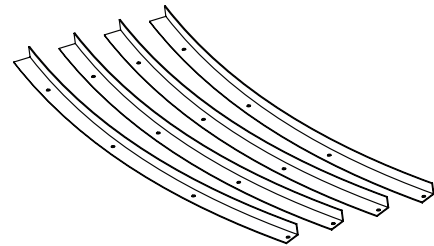
Inner Splicer Channels



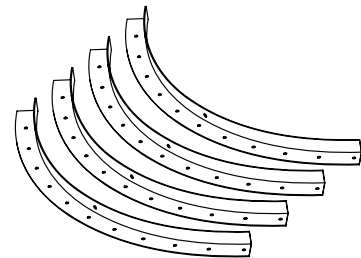
Adjustable Aircraft Cable Kits



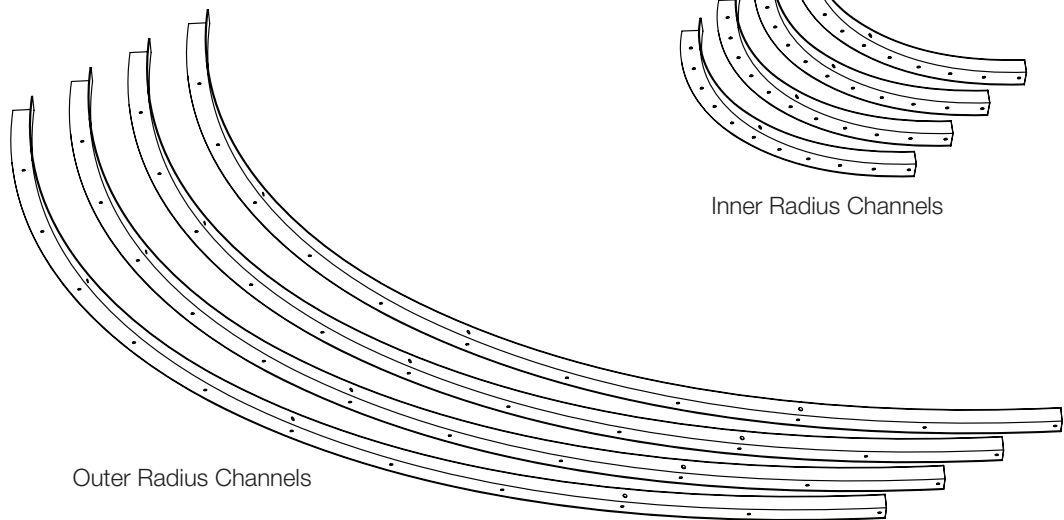
Assembly Screws



Outer Splicer Channels



Inner Radius Channels

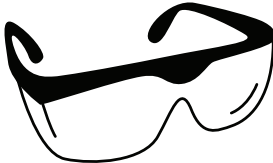


Outer Radius Channels

Preparation

Tools

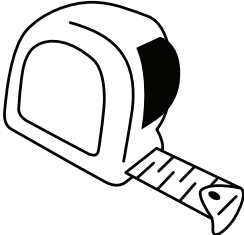
Standard Tools



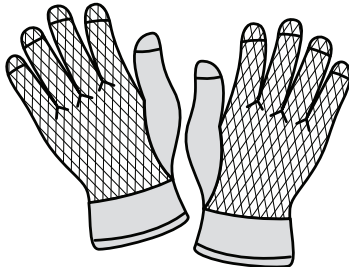
Safety Goggles



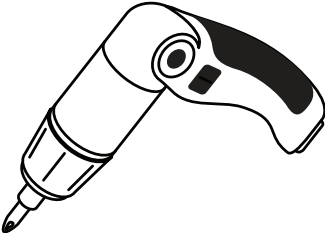
Hard Hat



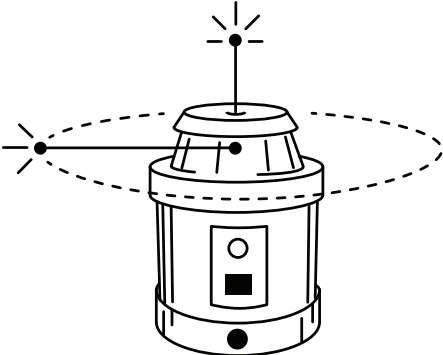
Tape Measure



Working Gloves



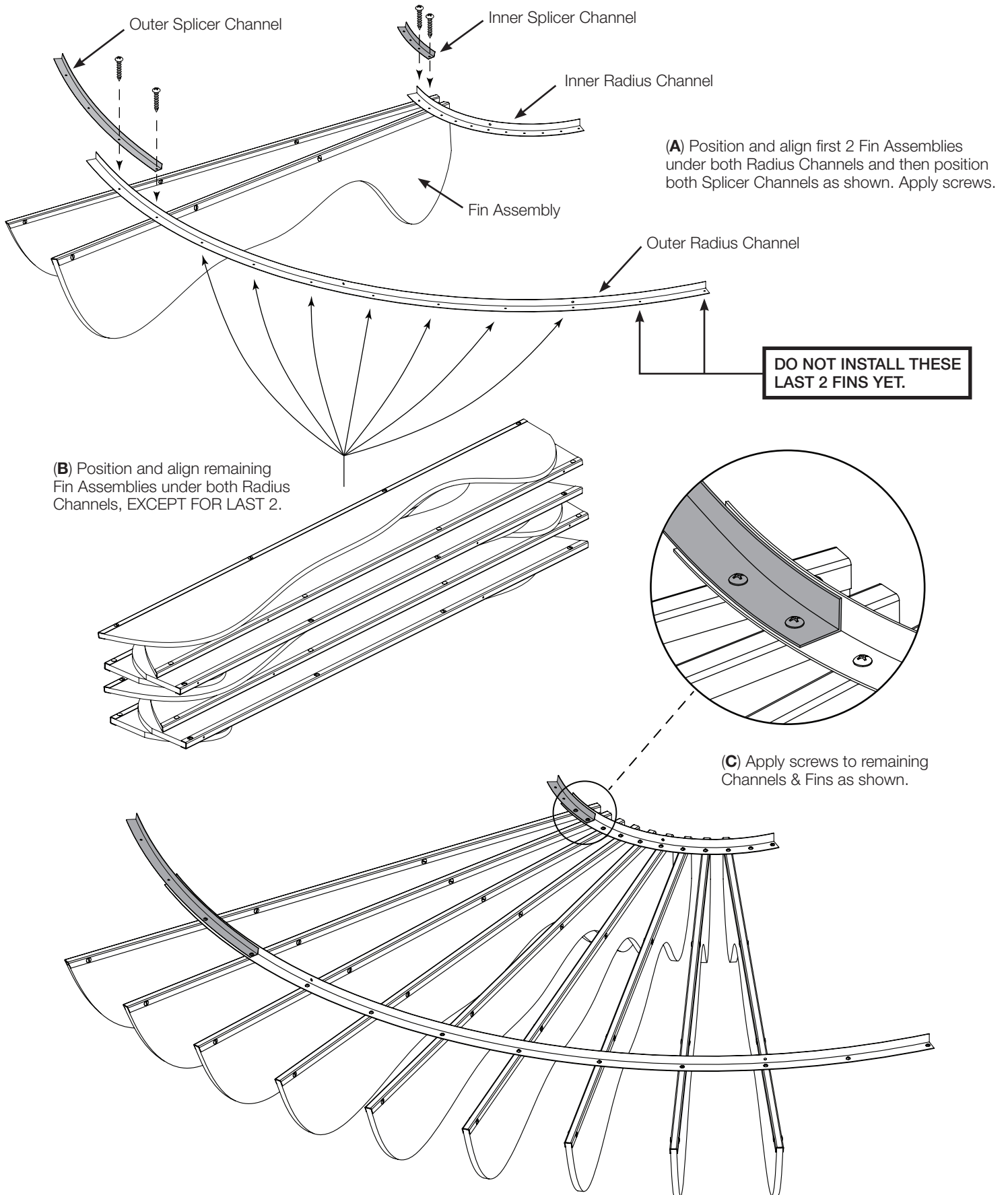
Electric Screwdriver



Laser Level

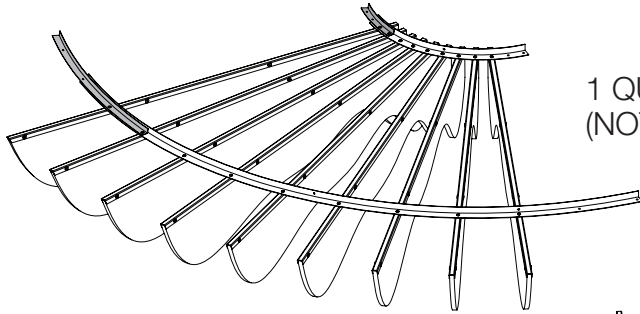
Pod Assembly

Attach Fins & Channels



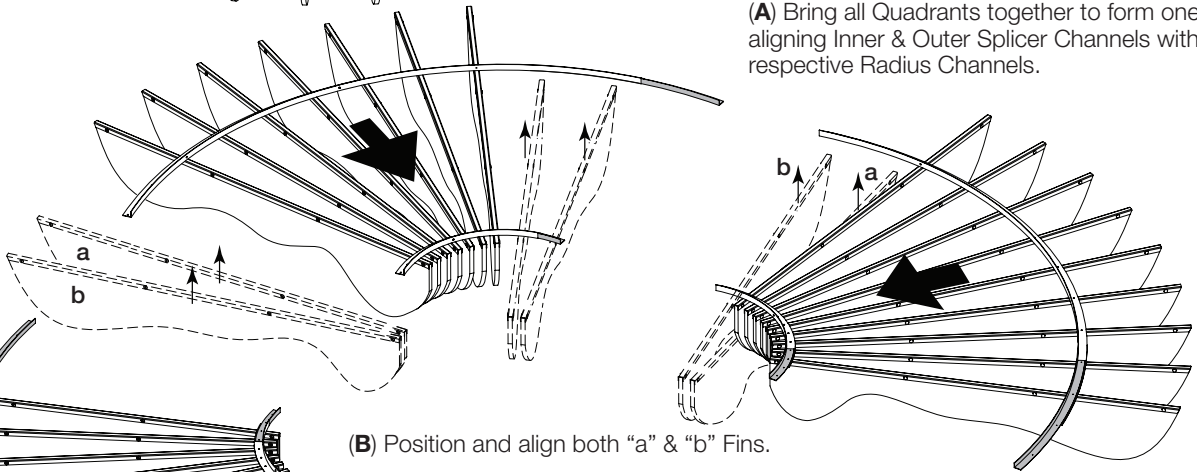
Pod Assembly

Join Quadrants/Octants

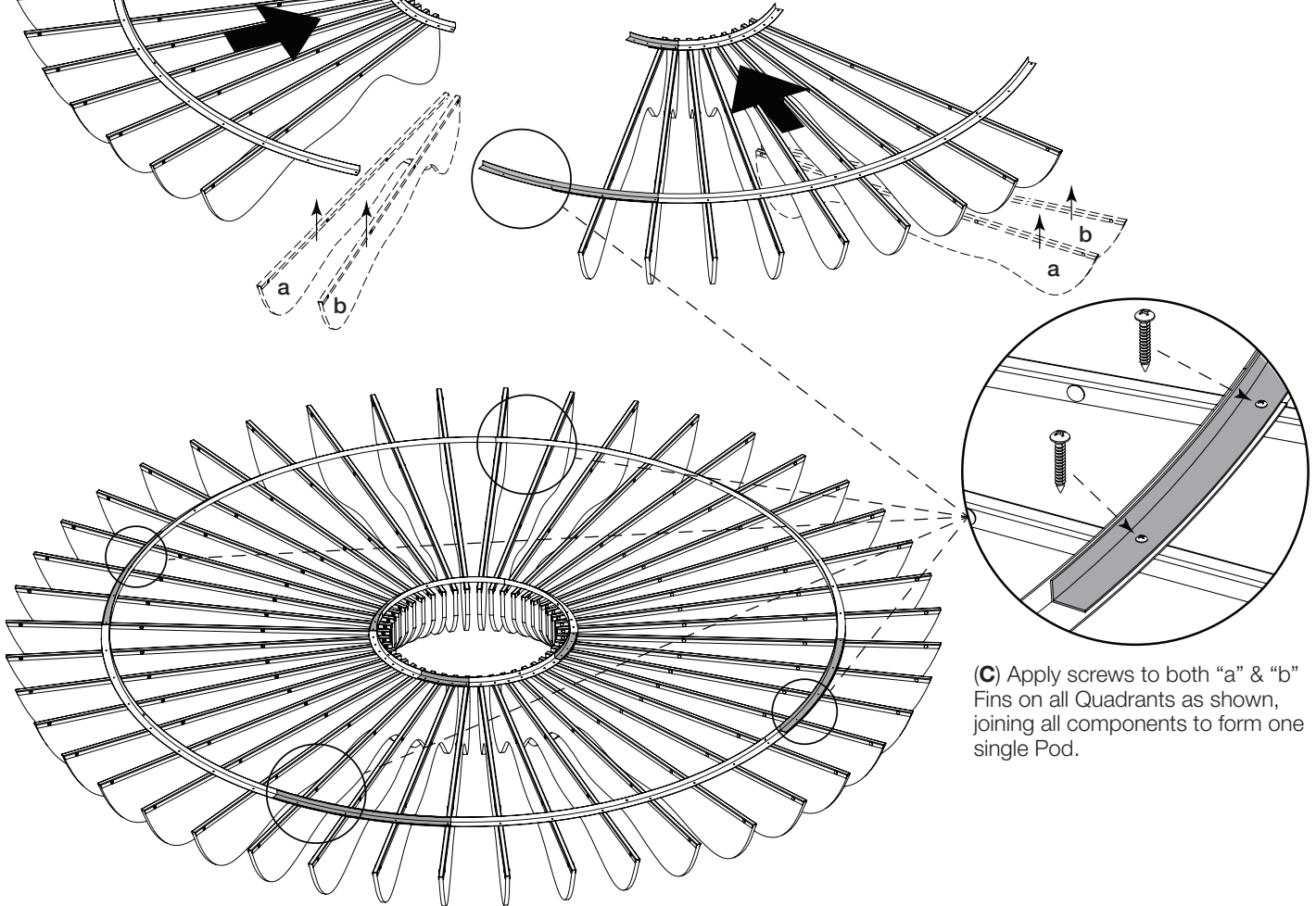


1 QUADRANT
(NOTE: Some models feature OCTANTS)

(A) Bring all Quadrants together to form one unit, aligning Inner & Outer Splicer Channels with their respective Radius Channels.



(B) Position and align both "a" & "b" Fins.

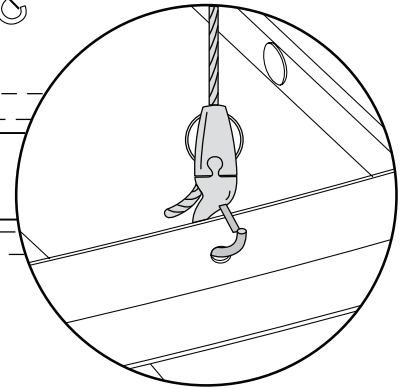
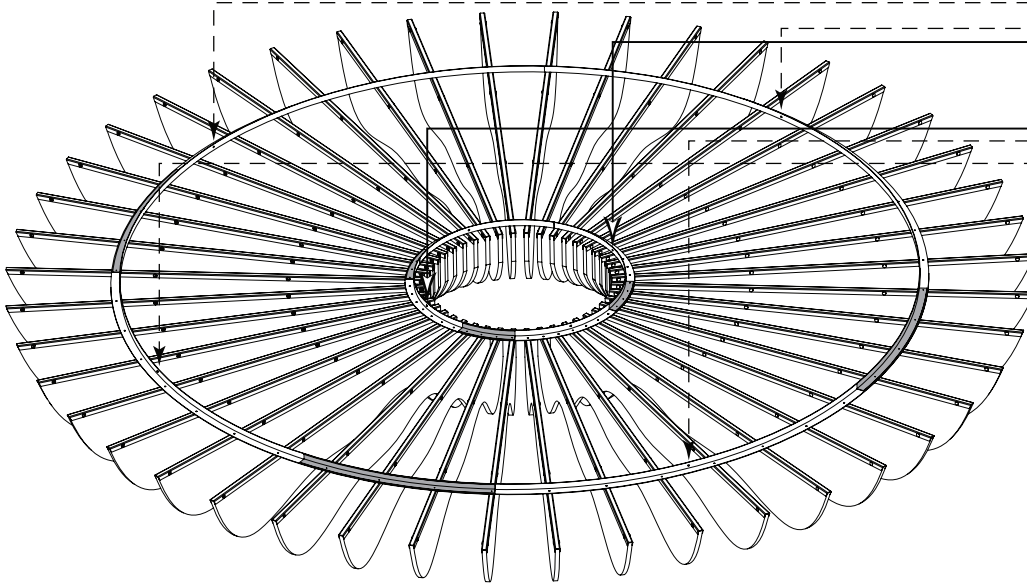
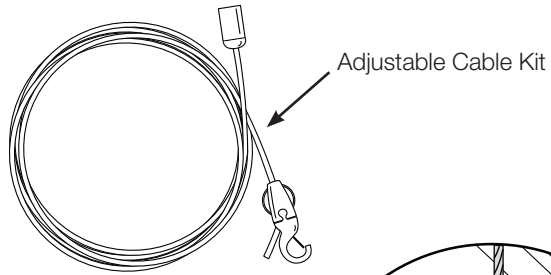


(C) Apply screws to both "a" & "b" Fins on all Quadrants as shown, joining all components to form one single Pod.

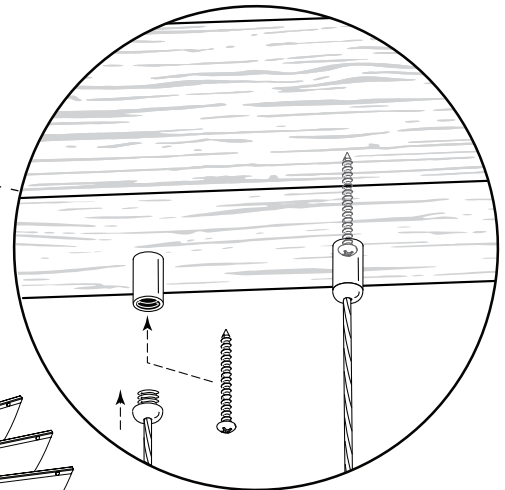
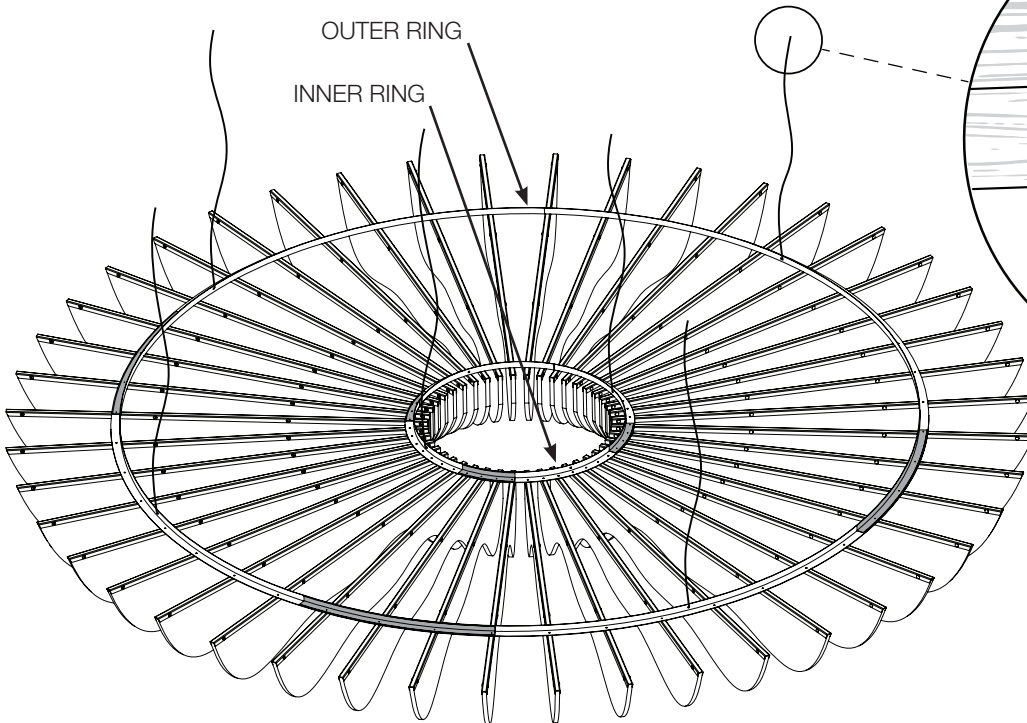
General Installation

Attach Cables to Pod & Ceiling

(A) Attach Cable hooks to Outer & Inner Radius Channels as shown below. 4 Cables will suspend Outer RING and 2 Cables will suspend Inner RING.



NOTE: Some larger models feature 3 concentric RINGS (channel/splicer formation), with middle ring using 4 additional suspension Cables.

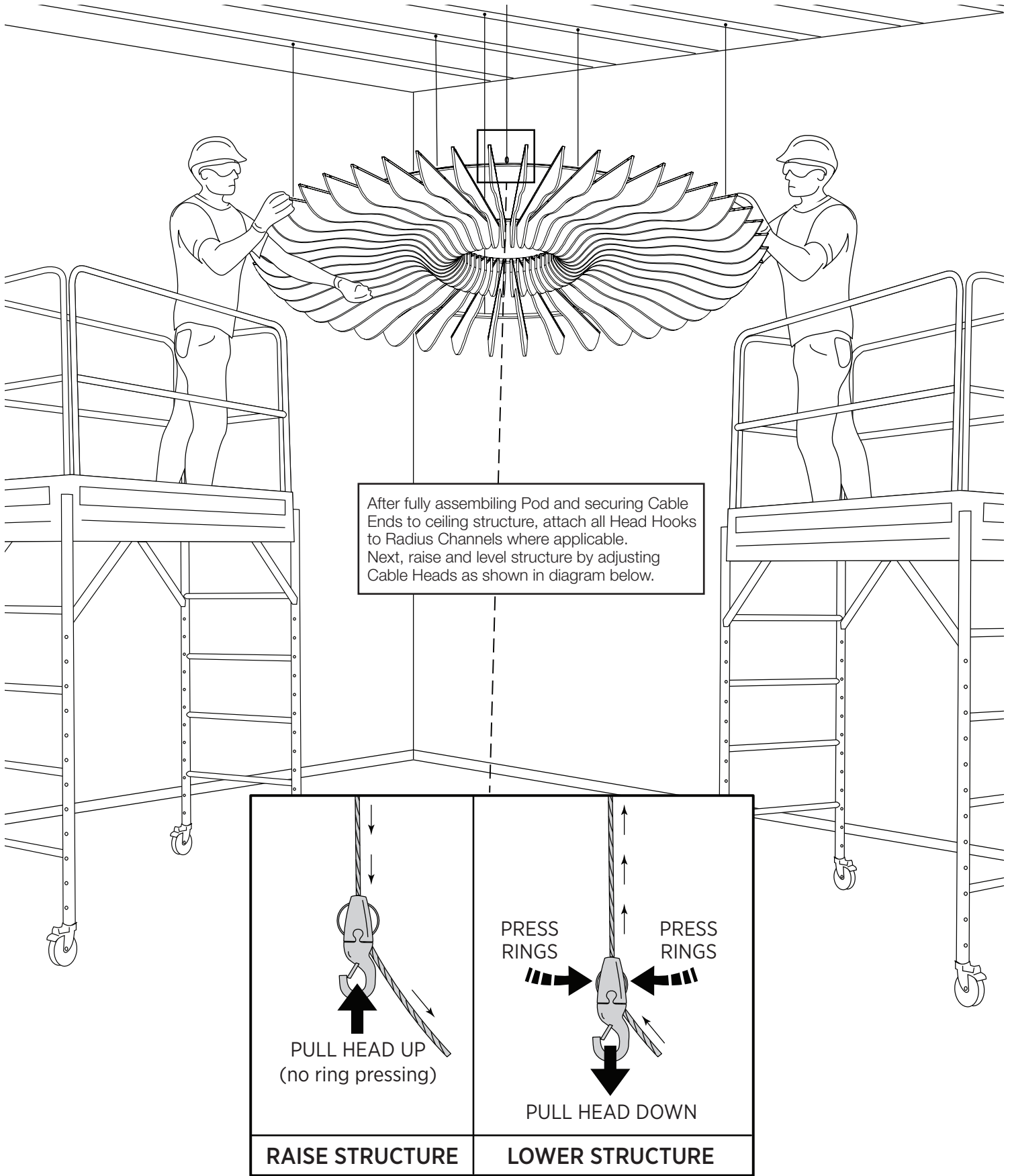


(B) Attach Cable heads to ceiling structure. Use appropriate screw type depending on ceiling substrate.

FULLY ASSEMBLED POD

General Installation

Raise & Level Pod



Maintenance

Adjust & Clean

- A.** Colortex™ Radialz™ pods are meant for indoor applications only.
- B.** Adjust ceiling components to provide a consistent finish and appearance in conformity with established tolerances and requirements.
- C.** Make sure to have clean hands at all times when handling/touching Colortex™ panels.
- D.** To remove dust, use a vacuum. An angled nozzle end works best.
- E.** If a spill occurs on the material immediately dab area with a clean, damp cloth. Soap and water may also be used if necessary.
- F.** If further cleaning is required, a polyester carpet and fabric cleaner can also be used. Always test on an inconspicuous area first.
- G.** Never expose Colortex™ material to temperatures above 240° F.
- H.** Remove and replace work that cannot be successfully cleaned and repaired to permanently eliminate evidence of damage, including dented and bent units.

Support

Contacts

Contact your sales rep for any additional support.

Notices

SAFETY

Safety First! Follow good safety/industrial hygiene practices during installation. Wear appropriate personal protective equipment. Read SDS and literature before specification and installation. Be cautious with exposed sharp edges when handling ceiling system components.

INSTALLATION

Prior to installation, make sure your project complies with any seismic & non-seismic requirements. Must be installed in compliance with ASTM C636, ASTM E580, utilizing standard industry practices and adopting applicable code requirements. Alternative assemblies and installation methods may be utilized when approved by the authority having jurisdiction. USG Ceiling Plus recommends checking with the authority having jurisdiction prior to designing and installing a suspended ceiling system.

LIMITATION

Some commercially acceptable color variation may occur between lots and between different size products of the same color.

LIABILITY

We shall not be liable for any incidental and consequential damages, directly or indirectly sustained, nor for any loss caused by application of these goods not in accordance with current printed instructions or for other than the intended use. Our liability is expressly limited to replacement of defective goods. Any claim shall be deemed waived unless made in writing to us within thirty (30) days from date it was or reasonably should have been discovered. This product is covered under the standard warranty for USG Ceilings Plus products. For terms and conditions please visit www.usg.com

