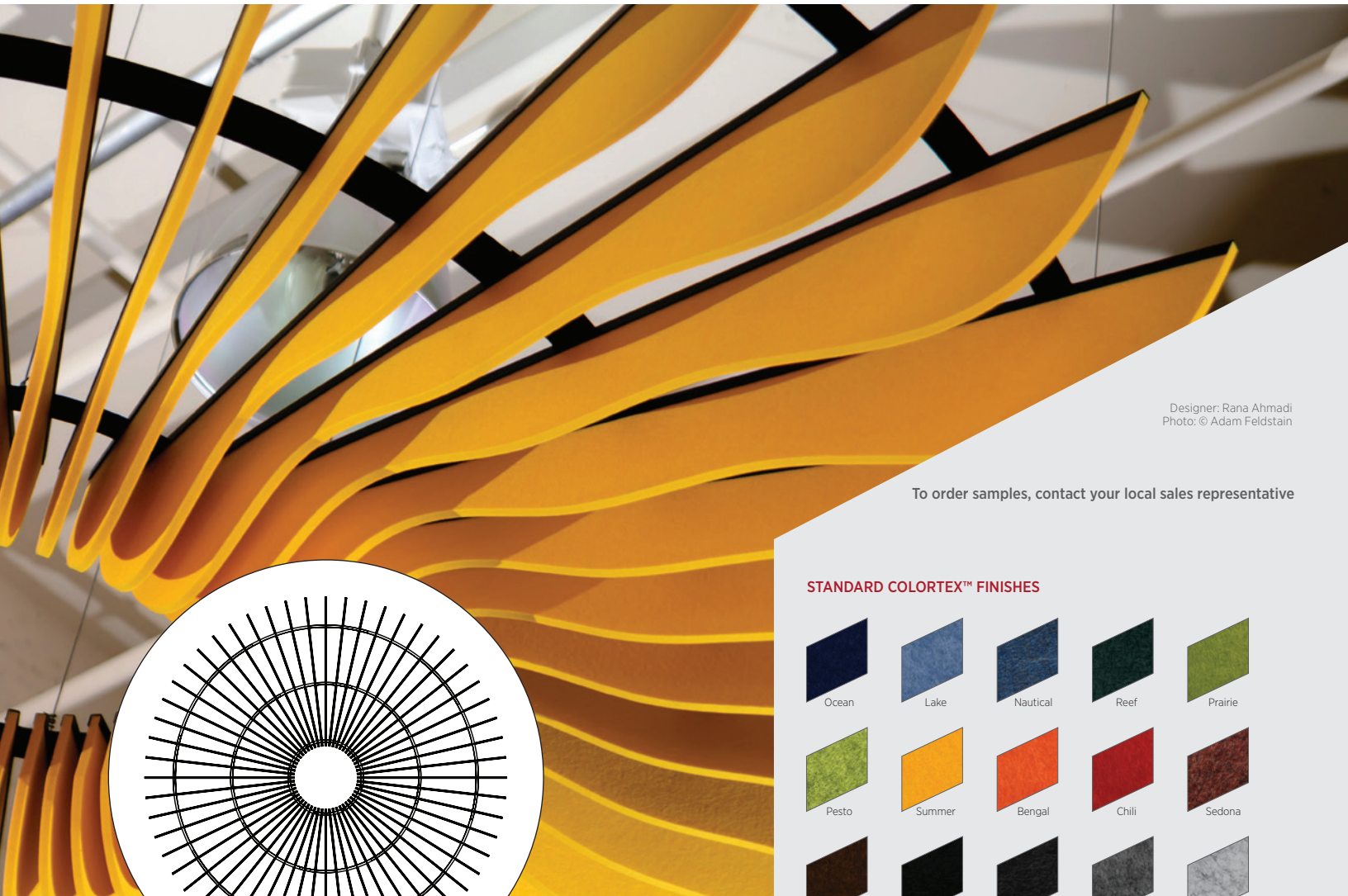


USG Ceilings Plus® Design Solutions

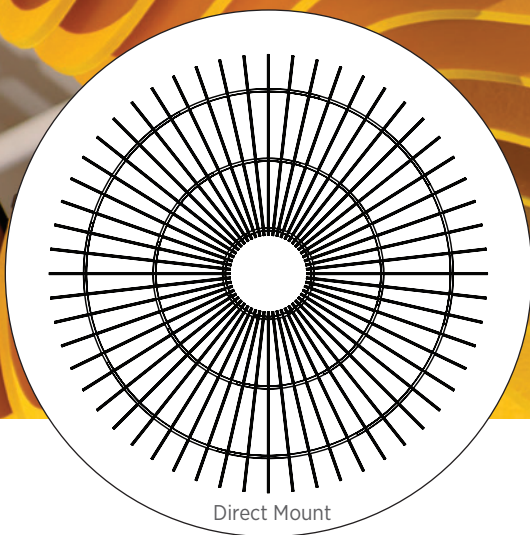
COLORTEX™ - RADIALZ™

ACOUSTIC PANEL SOLUTIONS



Designer: Rana Ahmadi
Photo: © Adam Feldstain

To order samples, contact your local sales representative



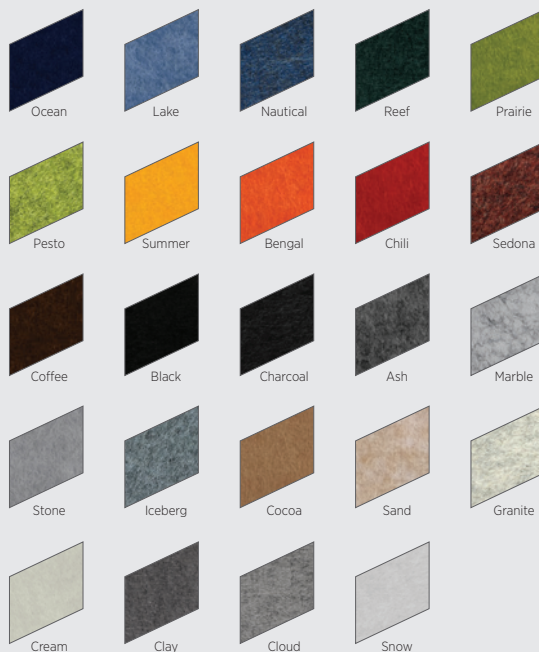
FEATURES AND BENEFITS

- Made from 100% recycled materials.
- Uses adjustable quick-connect aircraft cable fittings for easy install.
- Multiple sizes and designs for endless arrangements.
- Provides excellent acoustic performance with Array-NRC¹ up to 1.00.
- Available in 12mm-thick material.
- Third party integration of diffusers, lights, speakers, sprinklers, wifi, etc. (independently suspended).

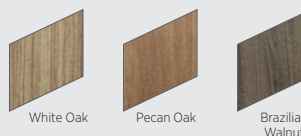
APPLICATIONS

- Interior Applications
- Pods, Islands, and Clouds
- New Construction or Renovation

STANDARD COLORTEX™ FINISHES



WOODGRAIN COLORTEX™ FINISHES



USG Ceilings Plus® Design Solutions COLORTEX™-RADIALZ™

ACOUSTIC PANEL SOLUTIONS

ORDER SAMPLES/LITERATURE
Contact your local sales rep.

**FOR MOST UP-TO-DATE
TECHNICAL INFORMATION
AND LEED REPORT TOOL**
Contact your local sales rep.

TECHNICAL SERVICES
Contact your local sales rep.

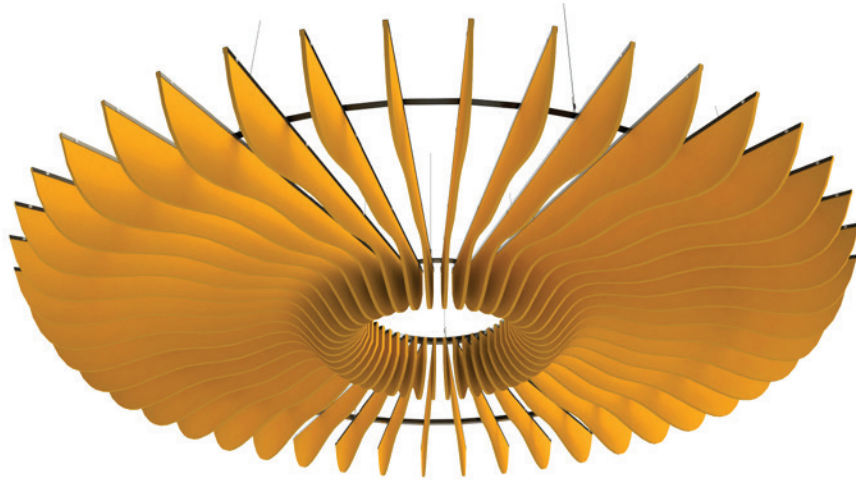
SUNFLOWER

PERFORMANCE OPTIONS

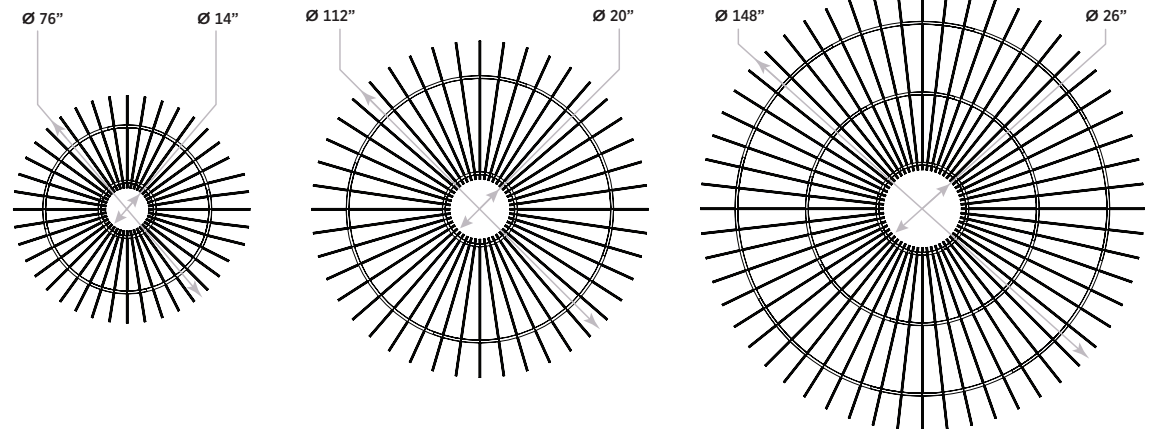
Application	Grid Options	Finish	Accessibility	Item No.	Thickness	Array-NRC ¹	Perforation	Fire Rating	Recycled Content	Maintenance
Interior	N/A	24 Standard Colors & 3 Wood Grains	Full Downward	—	12mm	Up to 1.00	N/A	Class A, ASTM E84	60% Post-consumer/40% Pre-consumer recycled content (hardware excluded)	See Installation Manual

DESIGN PARAMETERS

FULLY INSTALLED SYSTEM



SIZING GUIDELINES



Low Emissions (VOC)
CDPH 01350 v1.2-2017 compliant, see usg.com for more details and documentation.

PHYSICAL DATA

Product Literature
Please contact your local sales representative for the following documents:

Installation Guide: IC307857
Architectural Specification
Cleaning Instructions: IC307857
Warranty: SC2102

Fire Classification:
Colortex Radialz material is Class A in accordance with ASTM E84.

Suspension System
Supporting main tees are classified as Heavy Duty as classified per ASTM C635 when tested in accordance with ASTM E3090 and AC368.

Seismic Compliance
Suspension System is included in ICC ES ESR 1222 for use in Seismic Design Categories A through F when installed according to ASTM C636 and ASTM E580. Alternate installation methods may be used when designed by a registered engineer and approved by the authority having jurisdiction. Test reports for suspension system performance may be available upon request.

Structural Test Reports
USG Ceilings Plus has developed Colortex™ Radialz™ ceiling systems to meet ASTM 635, ASTM 636 and typical local building code requirements. Test reports for suspension system performance may be available upon written request.

Integration
Colortex™ Radialz™ can accommodate a full range of Third-Party systems for any design intent. Air diffusers, speakers, sprinklers and other ceiling attached accessories can be independently attached to deck within our ceilings. CAD details are available online at www.usg.com.

1. Array-NRC is calculated per ASTM C423 and varies with Colortex™ Radialz™ profile and configuration. Colortex™ Radialz™ spaced closely together and/or overlapped can achieve higher Array-NRC.

USG Ceilings Plus® Design Solutions COLORTEX™-RADIALZ™

ACOUSTIC PANEL SOLUTIONS

ORDER SAMPLES/LITERATURE
Contact your local sales rep.

**FOR MOST UP-TO-DATE
TECHNICAL INFORMATION
AND LEED REPORT TOOL**
Contact your local sales rep.

TECHNICAL SERVICES
Contact your local sales rep.

DROP

PERFORMANCE OPTIONS

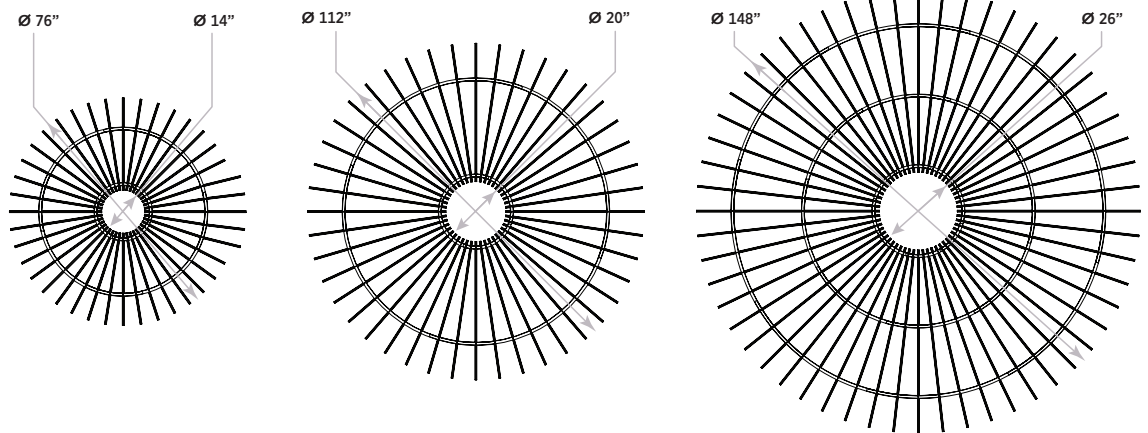
Application	Grid Options	Finish	Accessibility	Item No.	Thickness	Array-NRC ¹	Perforation	Fire Rating	Recycled Content	Maintenance
Interior	N/A	24 Standard Colors & 3 Wood Grains	Full Downward	—	12mm	Up to 1.00	N/A	Class A, ASTM E84	60% Post-consumer/40% Pre-consumer recycled content (hardware excluded)	See Installation Manual

DESIGN PARAMETERS

FULLY INSTALLED SYSTEM



SIZING GUIDELINES



 **Low Emissions (VOC)**
CDPH 01350 v1.2-2017 compliant, see usg.com for more details and documentation.

PHYSICAL DATA

Product Literature

Please contact your local sales representative for the following documents:

Installation Guide: IC307857
Architectural Specification
Cleaning Instructions: IC307857
Warranty: SC2102

Fire Classification:

Colortex Radialz material is Class A in accordance with ASTM E84.

Suspension System

Supporting main tees are classified as Heavy Duty as classified per ASTM C635 when tested in accordance with ASTM E3090 and AC308.

Seismic Compliance

Suspension System is included in ICC ES ESR 1222 for use in Seismic Design Categories A through F when installed according to ASTM C636 and ASTM E580. Alternate installation methods may be used when designed by a registered engineer and approved by the authority having jurisdiction. Test reports for suspension system performance may be available upon request.

Structural Test Reports

USG Ceilings Plus has developed Colortex Radialz ceiling systems to meet ASTM 635, ASTM 636 and typical local building code requirements. Test reports for suspension system performance may be available upon written request.

Integration

Colortex Radialz can accommodate a full range of Third-Party systems for any design intent. Air diffusers, speakers, sprinklers and other ceiling attached accessories can be independently attached to deck within our ceilings. CAD details are available online at www.usg.com.

1. Array-NRC is calculated per ASTM C423 and varies with Colortex™ Radialz™ profile and configuration. Colortex™ Radialz™ spaced closely together and/or overlapped can achieve higher Array-NRC.

USG Ceilings Plus® Design Solutions COLORTEX™-RADIALZ™

ACOUSTIC PANEL SOLUTIONS

ORDER SAMPLES/LITERATURE
Contact your local sales rep.

**FOR MOST UP-TO-DATE
TECHNICAL INFORMATION
AND LEED REPORT TOOL**
Contact your local sales rep.

TECHNICAL SERVICES
Contact your local sales rep.

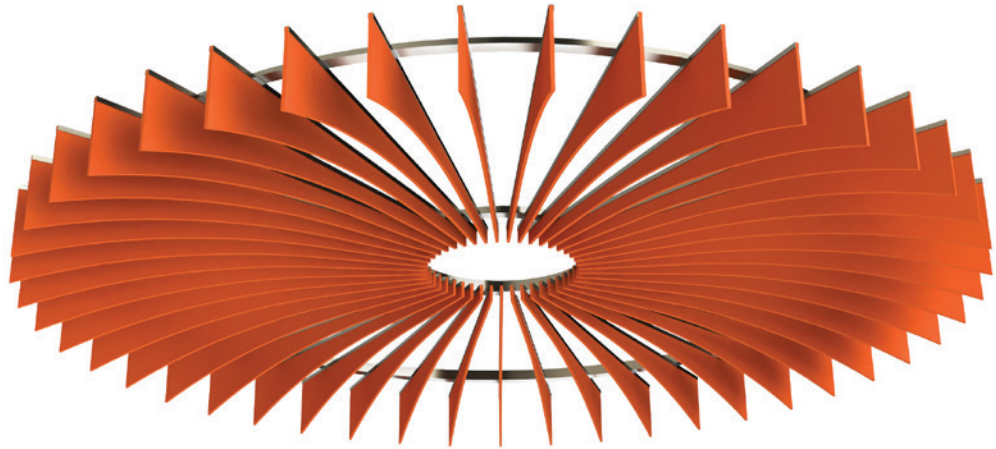
TALON

PERFORMANCE OPTIONS

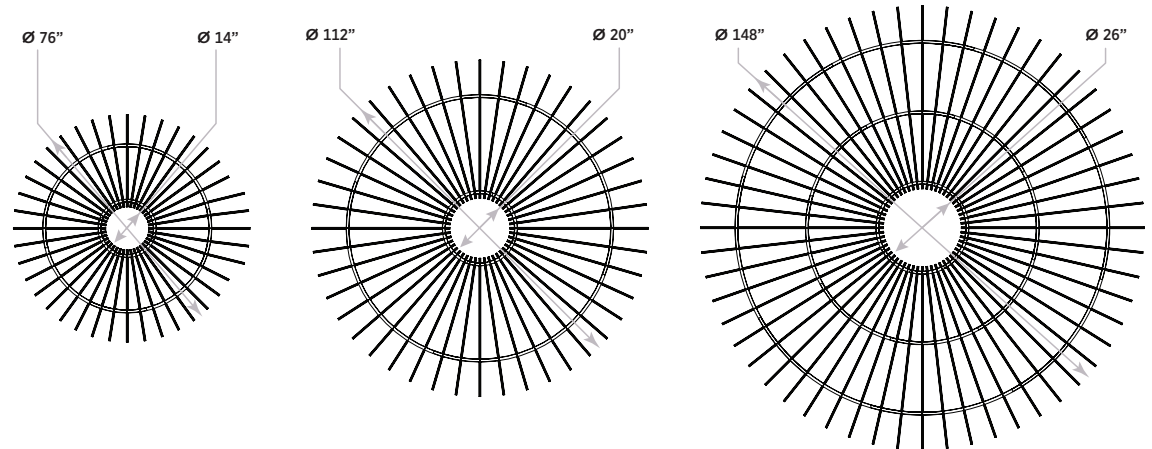
Application	Grid Options	Finish	Accessibility	Item No.	Thickness	Array-NRC ¹	Perforation	Fire Rating	Recycled Content	Maintenance
Interior	N/A	24 Standard Colors & 3 Wood Grains	Full Downward	—	12mm	Up to 1.00	N/A	Class A, ASTM E84	60% Post-consumer/40% Pre-consumer recycled content (hardware excluded)	See Installation Manual

DESIGN PARAMETERS

FULLY INSTALLED SYSTEM



SIZING GUIDELINES



Low Emissions (VOC)
CDPH 01350 v1.2-2017 compliant, see usg.com for more details and documentation.

PHYSICAL DATA

Product Literature

Please contact your local sales representative for the following documents:

Installation Guide: IC307857
Architectural Specification
Cleaning Instructions: IC307857
Warranty: SC2102

Fire Classification:

Colortex Radialz material is Class A in accordance with ASTM E84.

Suspension System

Supporting main tees are classified as Heavy Duty as classified per ASTM C635 when tested in accordance with ASTM E3090 and AC308.

Seismic Compliance

Suspension System is included in ICC ES ESR 1222 for use in Seismic Design Categories A through F when installed according to ASTM C636 and ASTM E580. Alternate installation methods may be used when designed by a registered engineer and approved by the authority having jurisdiction. Test reports for suspension system performance may be available upon request.

Structural Test Reports

USG Ceilings Plus has developed Colortex Radialz ceiling systems to meet ASTM 635, ASTM 636 and typical local building code requirements. Test reports for suspension system performance may be available upon written request.

Integration

Colortex Radialz can accommodate a full range of Third-Party systems for any design intent. Air diffusers, speakers, sprinklers and other ceiling attached accessories can be independently attached to deck within our ceilings. CAD details are available online at www.usg.com.

1. Array-NRC is calculated per ASTM C423 and varies with Colortex™ Radialz™ profile and configuration. Colortex™ Radialz™ spaced closely together and/or overlapped can achieve higher Array-NRC.

Notice

The information in this document is subject to change without notice. CGC Inc. or USG Corp. assumes no responsibility for any errors that may inadvertently appear in this document.

IC307317/rev. 10-23

© 2023 USG Corporation and/or its affiliates. All rights reserved. Printed in U.S.A.

Manufactured by
USG Interiors, LLC
550 West Adams Street
Chicago, IL 60661

The trademarks USG, CEILINGS PLUS, CGC, Colortex, Radialz, the USG/CGC logo, the Ceilings Plus logo, the design elements and colors, and related marks are trademarks of USG Corporation or its affiliates.

Safety First! Follow good safety/industrial hygiene practices during installation. Wear appropriate personal protective equipment. Read SDS and literature before specification and installation.

