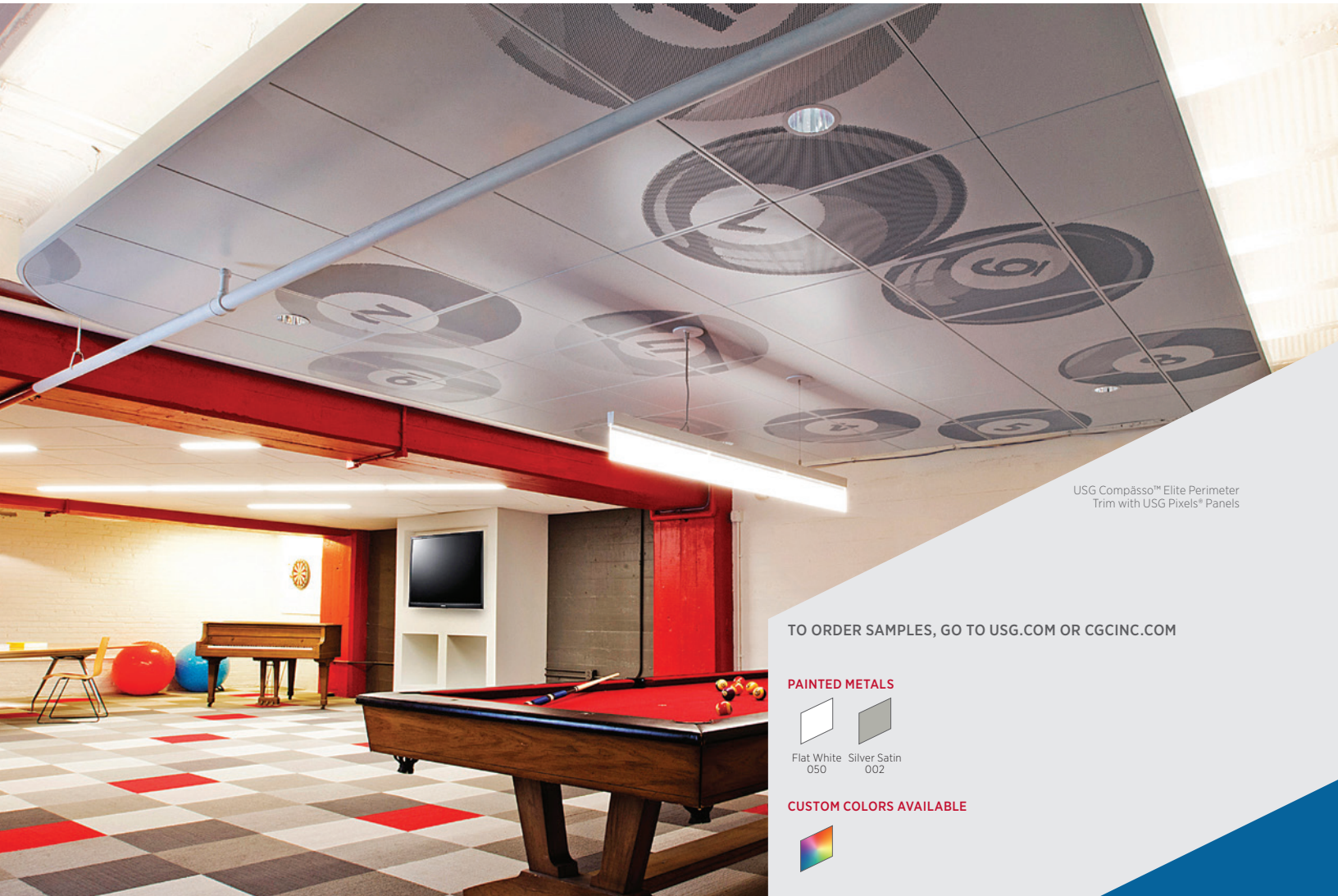


USG COMPÄSSO™ ELITE

PERIMETER TRIMS WITH ISLAND ACCENT LIGHTING



USG Compasso™ Elite Perimeter
Trim with USG Pixels® Panels

TO ORDER SAMPLES, GO TO USG.COM OR CGCINC.COM

PAINTED METALS



Flat White 050 Silver Satin 002

CUSTOM COLORS AVAILABLE



FEATURES AND BENEFITS

- Creates free-form ceiling islands with uplighting.
- Accommodates GE's Accent lighting modules.
- Available on all engineered USG Compasso™ Elite designs.
- Unique flexible track accommodates curved island designs.
- Proprietary clip attaches to USG Compasso™ Elite trim and provides cradle track and lights with exact angle for optimal lighting results.
- Designed together to work together.
- Available with USG Compositions® Decorative Clouds.

APPLICATIONS

- Interior Applications
- Pods, Islands, and Clouds
- Sloped Ceilings
- Custom Curved Radius and Length
- Quick Ship Straights
- New Construction or Renovation



USG COMPASSO™ ELITE

PERIMETER TRIMS WITH ISLAND ACCENT LIGHTING

ORDER SAMPLES/LITERATURE
 USG: usg.com or samplitt@usg.com
 CGC: contact Sales Representative

TECHNICAL SERVICES
 800.USG.4YOU (874-4968)

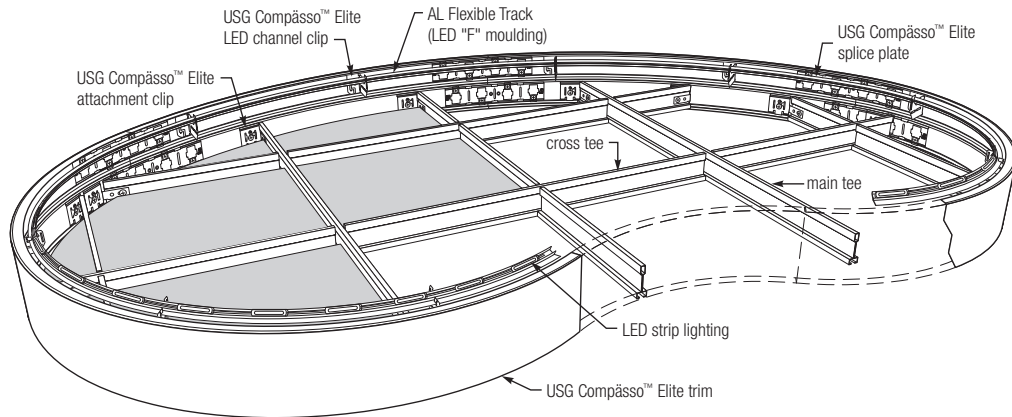
FOR MOST UP-TO-DATE TECHNICAL INFORMATION AND LEED REPORT TOOL
 usgdesignstudio.com
 cgcdesignstudio.com

PRODUCT INFORMATION

Finishes

Standard colors, Advantage colors and custom colors

PERSPECTIVE

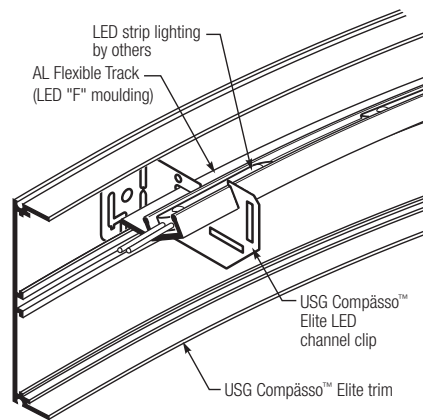


Trim Profiles Elite

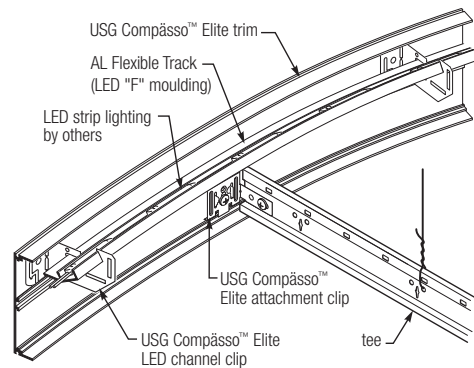
4"	6"	8"	10"

Attachment Clip

Clip and Track



USG Compasso® Elite Accent Lighting Assembly



ACCENT LIGHTING OPTION

AL Clip



AL Flexible Track



AL Lighting

Available from GE.
 GE LED Accent-Gen 2

PHYSICAL DATA

Product literature

System brochure: IC400
 Data sheet: IC612
 Warranty: SC2102
 Care and maintenance instructions: IC518
 Installation guide: IC464
 Trim systems design guide

Recycled content

See the USG Sustainability Tool on usg.com or cgcin.com.

- Minimum radius is 18".

Online tools

usgdesignstudio.com or cgcdesignstudio.com

Notice

The information in this document is subject to change without notice. CGC Inc. or USG Corp. assumes no responsibility for any errors that may inadvertently appear in this document.

IC612/rev. 10-23

© 2023 USG Corporation and/or its affiliates. All rights reserved. Printed in U.S.A.

Manufactured by USG Interiors, LLC
 550 West Adams Street
 Chicago, IL 60661

The trademarks USG, CGC, COMPASSO, COMPOSITIONS, PIXELS, IT'S YOUR WORLD. BUILD IT., the USG/CGC logo, the design elements and colors, and related marks are trademarks of USG Corporation or its affiliates.

Safety First! Follow good safety/industrial hygiene practices during installation. Wear appropriate personal protective equipment. Read SDS and literature before specification and installation.

